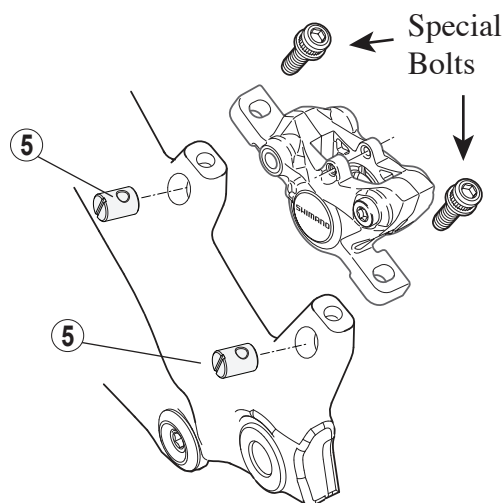


## Rear Brake Caliper Mounting Bolts - (For Certain 2015 Models)

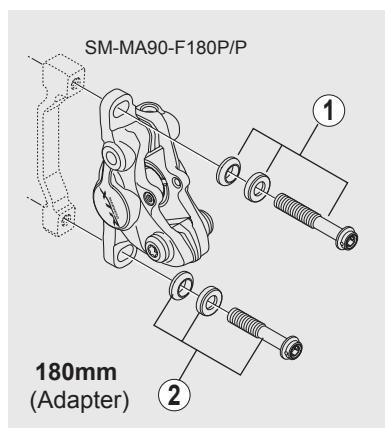
The following 2015 GT bike models utilize barrel nuts and require the use of the special longer rear brake attachment bolts listed in this supplement:

- |                |                  |
|----------------|------------------|
| HELION CARBON  | ZASKAR 9R CARBON |
| SENSOR CARBON  | ZASKAR LE 27.5   |
| FORCE X CARBON |                  |

For these 2015 models, GT has specified exclusively the Shimano brakes shown below. Shimano has custom made brake bolts that are compatible with these frames. **The brake bolt and barrel nut service kits are available through your GT Dealer. These bolts are not available through Shimano.**

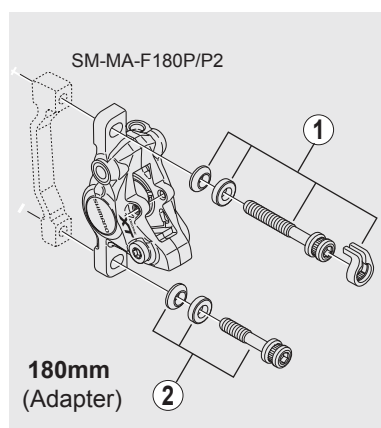


### XTR Disc Brake BR-M9000



- 1 - Caliper Fixing Bolt Unit (M6 x 40.4)
- 2 - Caliper Fixing Bolt Unit (M6 x 34.2)
- 3 - Caliper Fixing Bolt (M6x20.2)

### DEORE XT Disc Brake BR-M785



- 1 - Caliper Fixing Bolt Unit (M6 x 41.6)
- 2 - Caliper Fixing Bolt Unit (M6 x 35.8)
- 3 - Adapter Fixing Bolt (M6 x21.8) & Snap Ring
- 4 - Adapter Fixing Bolt (M6 x21.8)

ITEM NO. (QTY)	CODE	DESCRIPTION
1,2	KG0064N01	KIT CALIPER BOLT XTR AOS 180
3	KG0065N01	KIT CALIPER BOLT XTR AOS 160 DIRECT MOUNT
5(10)	KG0017N02	KIT BARREL NUT M6 POST MOUNT (10X)

ITEM NO. (QTY)	CODE	DESCRIPTION
1,2	KG0066N01	KIT CALIPER BOLT XT AOS 180
3,4	KG0067N01	KIT CALIPER BOLT XT AOS 160 DIRECT MOUNT
5(10)	KG0017N02	KIT BARREL NUT M6 POST MOUNT (10X)

### **WARNING! USE ONLY THE SPECIAL LENGTH BRAKE CALIPER MOUNTING BOLTS.**

Correct length bolts are required to ensure correct thread engagement of any brake caliper. Your bike has been assembled with the correct length bolts. If you change the original equipment brakes, on your bike or are building a frameset be sure to use the correct length brake bolts. Apply Loctite 242 (blue) to the bolt threads and tighten to the specified torque. Ask your GT Dealer for help. **YOU CAN BE YOU SERIOUSLY INJURED, PARALYZED OR KILLED IF YOU IGNORE THIS WARNING.**