



2020

Techbook

GT
BICYCLES

CONTENTS

General Information.....	2-3
Cycling Prophet.....	4
FURY.....2019-2020	6-7
FORCE 29.....2019-2020	8-9
FORCE 27.5.....2019-2020	10-11
SENSOR 29.....2019-2020	12-13
ZASKAR (CARBON).....2018-2020	14
ZASKAR (ALLOY).....2020	15
GRADE.....2020	16-17
ePANTERA.....2020	19
eFORCE.....2020	20-21
LockR Pivot.....	22
Special Brake Mounting Bolts.....	23
Core Tech	24-25
BMX Tech2018-2020	26-33
Rear Derailleur Hangers	2012-2020
	34-36
Freehub Bodies	2020
	37-40

GENERAL INFORMATION

About this Technology Support Manual

- The information in this Technology Support manual is intended for Authorized GT Dealers and Distributors. Information updates are performed periodically and the most recent date of an update is displayed in the lower left corner of each page. GT reserves the right to make product improvements and changes at any time without prior notice. No part of this Technology Support manual may be reproduced without prior written permission.
- The latest updated version of this Technology Support manual is available in PDF format at: b2b.cyclingsportsgroup.com.
- The exploded views, illustrations, and photographs are intended only as an aid to identification of available replacement parts. The frame specifications table are intended as a guide to frame and component compatibility, not the suitability of any particular part. Ultimately, questions about part compatibility should be answered by experienced bike mechanics or be directed to GT Technical Support before ordering.
- This Technology Support manual is NOT a complete or comprehensive service manual for the listed products. To obtain product manuals, recall information, service bulletins and/or installation instructions please visit: b2b.cyclingsportsgroup.com.
- Some service kits contain multiple parts, some contain a single part. If a service kit contains multiple individual parts (e.g. O-rings, fasteners, pivot axles), the multiple parts will be identified by a single kit\ - A, B, C...

Servicing Guidelines

- Use a properly calibrated torque wrench when tightening fasteners. Tighten fasteners to the specified torque value. Clean and apply specified high-quality thread-locking agent (e.g. Loctite™) or grease to the fastener threads.
- Whenever replacing a service wear item, also replace any related seals, O-rings, and circlips with new ones.
- When replacing parts that have been damaged due to a crash or impact, be sure to clean and inspect other parts for damage. Take corrective action before replacing damaged or broken parts.
- Damaged or removed bearings should not be re-used. Install new bearings as a set and use the correct bearing tools.
- Always thoroughly clean all parts and surfaces before assembly. Use a clean, dry shop towel. Do not use automotive spray chemicals or harsh abrasives to clean; damage to parts, finishes, or decals can result.
- All screws, nuts, bolts, etc. are metric unless noted otherwise.
- Always use the specified high-quality tools, liquids, and lubricants where indicated.

Warranty

For consumer warranty policy: please refer to the Cannondale Limited Warranty available at www.cannondale.com.

For dealer warranty guidelines and claims processes: to resolve any warranty issues customers may have, please refer to our Warranty section at b2b.cyclingsportsgroup.com.











GENERAL INFORMATION

Service Instructions, Technical Support, and Ordering:

For service instructions, technical support and ordering service kits please visit b2b.cyclingsportsgroup.com.

Symbols:

This TECH BOOK uses some icons, abbreviations, and symbols to simplify the information presented on each page. They are:

Symbol	Name	Description
	Safety alert symbol	Indicates that the related parts are safety related. Use only the kit Part Number indicated for replacements; do not substitute other parts.
	NGLI-2 synthetic grease	Apply NGLI-2 synthetic grease.
	Anti-Sieze Lubricant	Apply Permetex® Anti-Sieze Lubricant
	Carbon Gel	Apply carbon gel (friction paste) KF115/
	Suspension grease	Buzzy's Slick Honey™ or R.S.P. Slick Kick
	Medium-strength removable thread lock	Apply Loctite® 242 (blue) or equivalent.
	High-strength removable thread lock	Apply Loctite® 262 (red) or equivalent.
	Medium-strength plastic fastener thread lock	Apply Loctite 425 Instant Adhesive or equivalent.
	Low strength removable thread lock	Loctite® 222
N-m	Newton meter	Indicates the specified tightening torque for the fastener. Use a correctly sized and calibrated torque wrench.
		Indicates availability of detailed product service/education video.

Abbreviations:

ACB - Angular Contact Bearing	EXT - External	LNK - Link	QTY - Quantity
ALLY - Alloy	FD - Front Derailleur	LWR - Lower	RD - Rear Derailleur
BB - Bottom Bracket	FT - Front	MAX. - Maximum	RGT - Right
BCD - Bolt Circle Diameter	FTTR - Front Triangle	MIN. - Minimum	RR - Rear
BLK - Black	GRDS - Guard	MP - Main Pivot	SST - Seat Stay
BRGS - Bearings	GRN - Green	mm - millimeters	ST - Seat Tube
BRK - Brake	HDWE - Hardware	MNT - Mount	TA - Thru-Axle
CBL - Cable	HGR - Hanger	MTN - Mountain	TC - Top Cap
CR - Chain Ring	HGRM - Hollowgram	N / A - Not Applicable	w / - With
CRB - Carbon (composite)	HT - Head Tube	NDS - Non-Drive Side	WHT - White
CS - Chain Stay	I.D. - Inside Diameter	-- Not Pictured	Wmn - Womens'
CSG - Cycling Sports Group	in - Inches	N-m - Newton Meter	UPR - Upper
DIA. - Diameter	INT - Internal	O.D. - Outside Diameter	
DO - Dropout	kg - kilograms	ORG - Orange	
DS - Drive Side	kgf - kilogram-force	p / n - Part Number	
DT - Down Tube	lbs - pounds	psi - pounds per square inch	
	LFT - Left	QR - Quick Release	

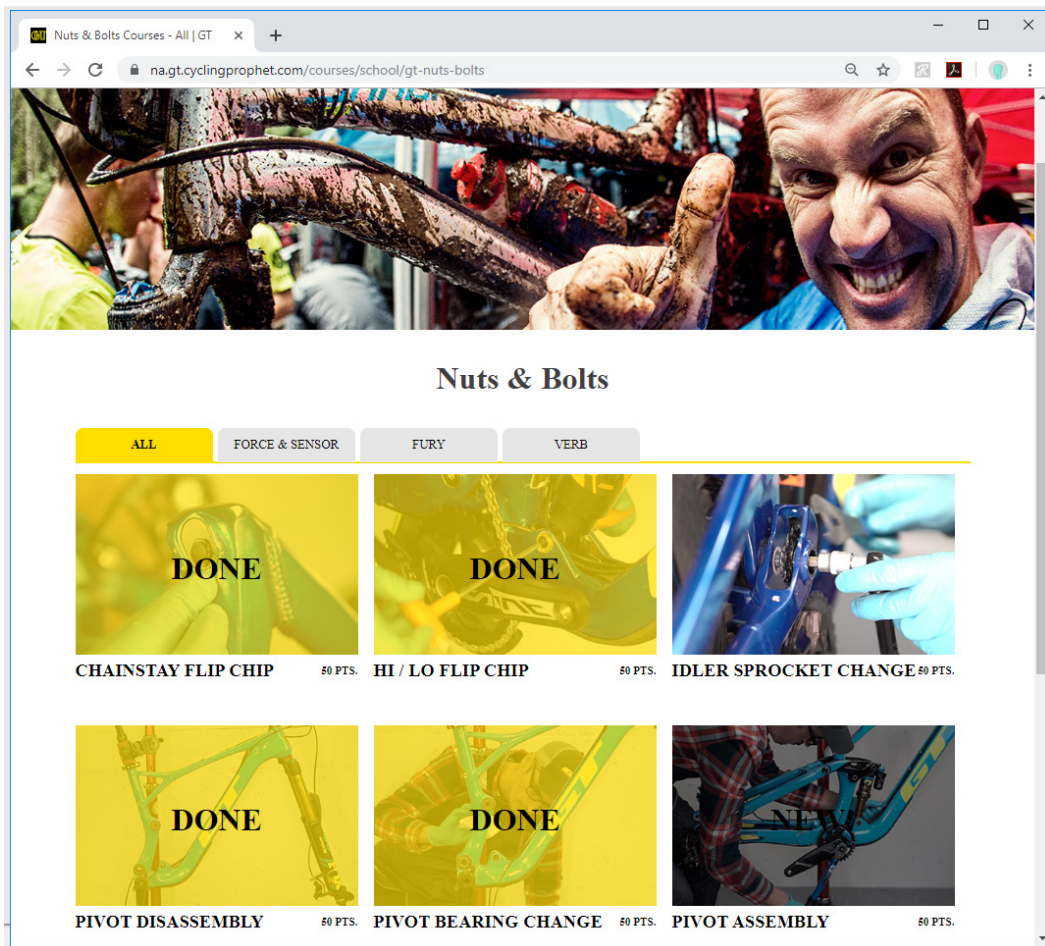
Cycling Prophet

Cycling Prophet supports education and service of Cycling Sports Group brands online via its website. The website resources are available to CSG Dealers.

In order to take advantage of the Cycling Prophet resources, you will need to establish an account with a login and password.

You can establish your account by visiting: www.cyclingprophet.com Select the brand and choose CREATE ACCOUNT.

The screen shot below is an example of "NUTS & BOLTS" area for GT Bikes. In this area, step-by-step videos focused on specific services are available by bike model and/or component technology.



cycling prophet™

Service Videos Available Online

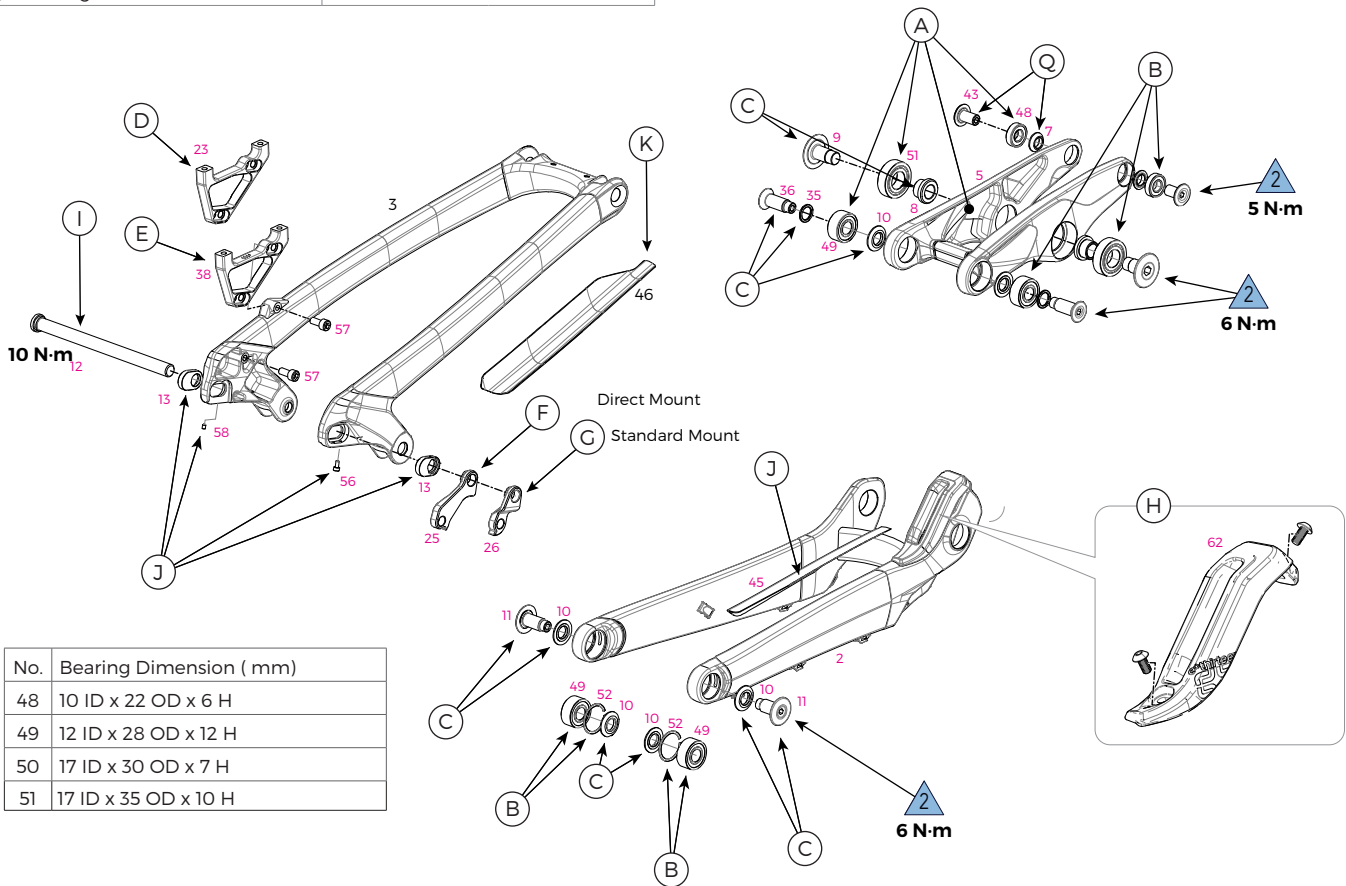
This page has been left blank intentionally.

FURY

2019 - 2020

Item	Specification	
	27.5 in	29 in
Wheel Size	27.5 in	29 in
Rear Travel	200 mm	
Head Tube	1.5 in with Fury Specific Cups	
Headset	UPR: 1-1 / 8 in (41.1 mm OD), LWR: 1-1 / 8 in (41.1 mm OD)	
Bottom Bracket: Type / Width	BSA / 83 mm	
Front Derailleur	N / A	
Seat Post: Dia. / Binder	31.6 mm / 34.9 mm	
▲ Min. Seat Post Insert	100 mm	
▲ Tire Size x Max. Width (measured)	27.5 in x 2.6 in	29 in x 2.5 in
▲ Max. Fork Length	595 mm	600 mm
Rear Shock: Eye-To-Eye / Stroke / Bushing Width	225 mm / 75 mm / 22.2 mm x 8mm	

Item	Specification	
	27.5 in	29 in
Wheel Size	27.5 in	29 in
Sag (measured at the shock)	17.1 mm recommended / 20.6 mm Max.	17.5 mm recommended / 20.8 mm Max.
Chain Guide	Chainstay Integrated Idler with ISCG 05	
Rear Brake: Mount Type / Min / Max Rotor Dia.	Post Mount / 203 mm Shimano, 200 mm SRAM	
Rear Axle: Type / Length	Fury Specific TA / 148 x 12 mm	
▲ Intended Use	ASTM CONDITION 5, Downhill	
▲ Max. Weight Limit Total (rider+all equipment):	305 lbs / 138 kg	

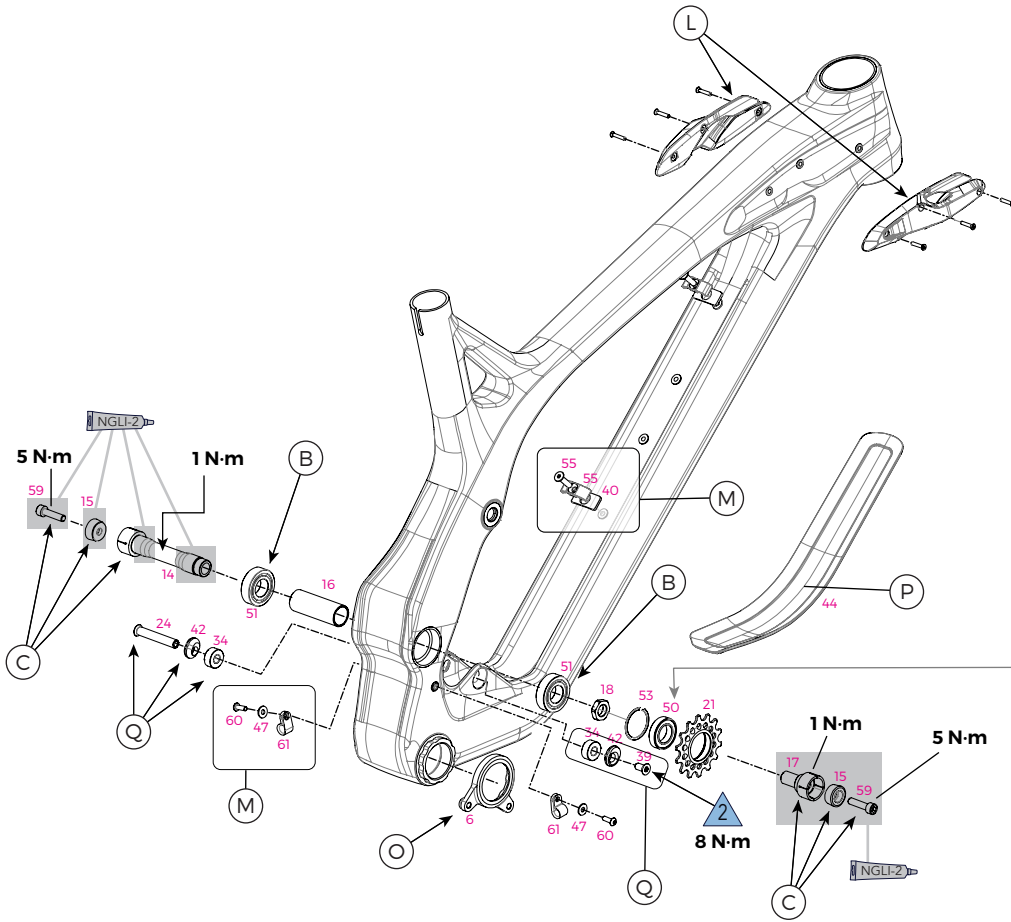


ID	Part Number	Description	27.5	29
A	K91089	Fury Suspension Link 27.5 / 29	✓	✓
B	K36189	Fury Pivot CS SS Link Bearings	✓	✓
C	K36199	Fury Pivot Hardware	✓	✓
D	K31049	ISO Shimano 203 mm Brake Mnt	✓	✓
E	K31059	SRAM 200 mm Brake Mount	✓	✓
F	K33029	Derailleur Hanger TA DM SS 071	✓	✓
G	K33039	Derailleur Hanger TA ST SS 072	✓	✓
H	K91109	Fury Idler Guide	✓	✓

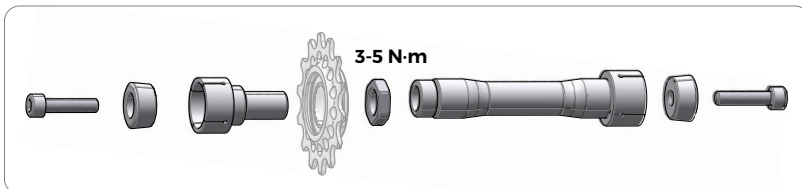
ID	Part Number	Description	27.5	29
I	K83009	Fury 148x12 Thru Axle	✓	✓
J	K34189	Fury Chainstay Protector	✓	✓
K	K34199	Fury Seatstay Protector	✓	✓
R	K91099	Dropout Thru Axle Flip Chips	✓	✓

FURY

2019 - 2020

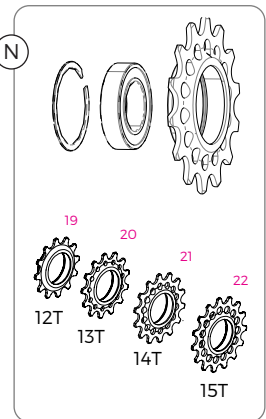


Main Pivot Assembly - Exploded View



ZERO STACK OPTIONS

UPPER 27.5/29	
0 mm Offset	31
3.5 mm Offset	28
LOWER 27.5	
0 mm Offset	32
3.5 mm Offset	29
LOWER 29	
0 mm Offset	33
3.5 mm Offset	30



ID	Part Number	Description	27.5	29
L	K34119	Fury Top Tube Fork Bumper Plates	✓	✓
M	K32039	Fury Cable Guides DT ST	✓	✓
N	K2202912	Idler Cog with Bearing 12T	✓	✓
	K2202913	Idler Cog with Bearing 13T	✓	✓
	K2202914	Idler Cog with Bearing 14T	✓	✓
	K2202915	Idler Cog with Bearing 15T	✓	✓
O	K22039	GT ISCG Mount 2 Bolt	✓	✓
P	K34179	Fury Downtube Protector	✓	✓

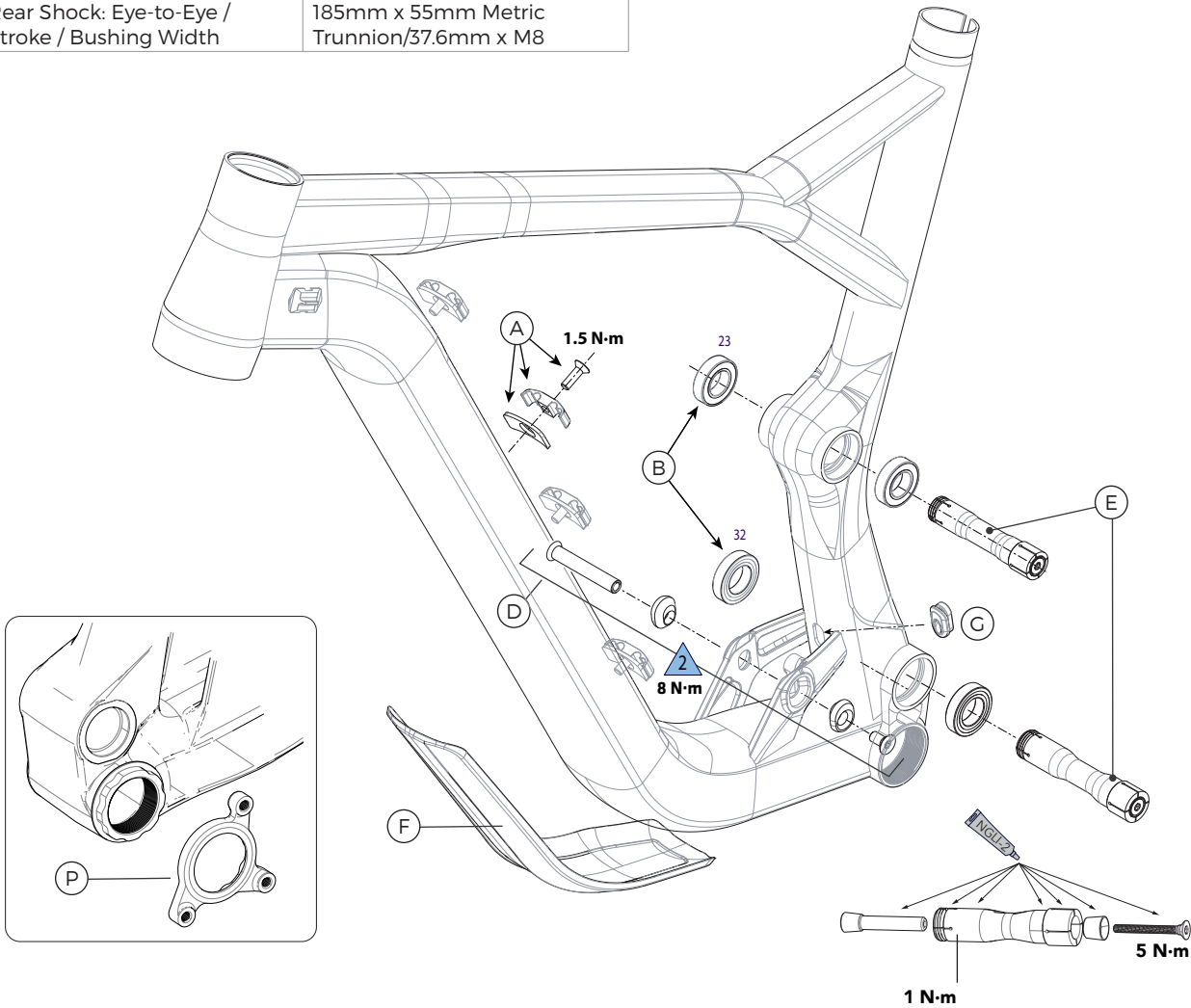
ID	Part Number	Description	27.5	29
Q	K36209	Fury Shock Mount Hardware	✓	✓
S,T	K3504927	Headset Cups 0mm and 3.5mm Offsets 27.5	✓	
T,U	K3504929	Headset Cups 0mm and 3.5mm Offsets 29		✓

FORCE 29

2019 - 2020

Item	Specification
Rear Travel	150mm
Head Tube	UPR: 1-1/8" LWR: 1-1/2"
Headset	Integrated, 1-1/8"-1-1/2"
Bottom Bracket: Type/Width	BSA/73mm
Front Derailleur	N/A
Seat Post: Dia./Binder	31.6mm/34.9mm
▲ Min. Seat Post Insert	100mm
▲ Tire Size x Max. Tire Width	29"x2.4" (measured)
▲ Max. Fork Length	581mm
Rear Shock: Eye-to-Eye / Stroke / Bushing Width	185mm x 55mm Metric Trunnion/37.6mm x M8

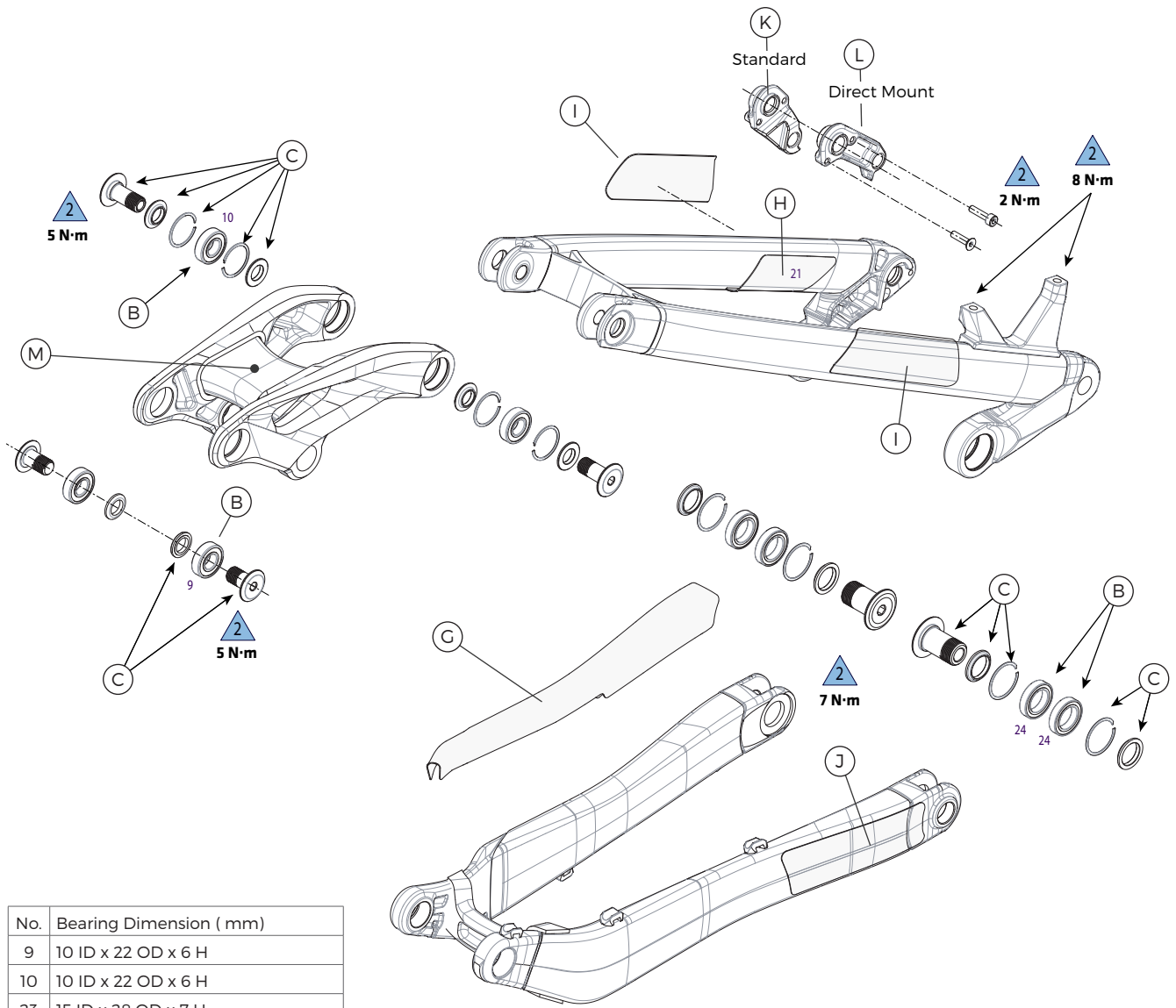
Item	Specification
Sag	12.5-14.5mm, 25%
Chain Guide	ISCC 05
Rear Brake: Mount Type / Min./Max. Rotor Dia.	Post Mount / 180mm/203mm
Rear Axle: Type/Length	Maxle TA/148x12mm, 180mm overall length
▲ Intended Use	ASTM CONDITION 4, All-Mountain
▲ Max. Weight Limit: Total (Rider+All Equipment)	305lbs/138kg



ID	Part Number	Description
A	K32008	GT Mountain Cable Guide x4
B	K36008	LTS Bearings 130/150/160
C	K36028	LTS CS SS Hardware 130/150/160
D	K36038	LTS Shock Bolts Flip Chips 130/150/160
E	K36009	Expanding Axle Hardware 79mm and 87mm
F	K34009	LTS DT Protector 130/150/160

FORCE 29

2019 - 2020



No.	Bearing Dimension (mm)
9	10 ID x 22 OD x 6 H
10	10 ID x 22 OD x 6 H
23	15 ID x 28 OD x 7 H
24	15 ID x 24 OD x 5 H
32	17 ID x 30 OD x 7 H

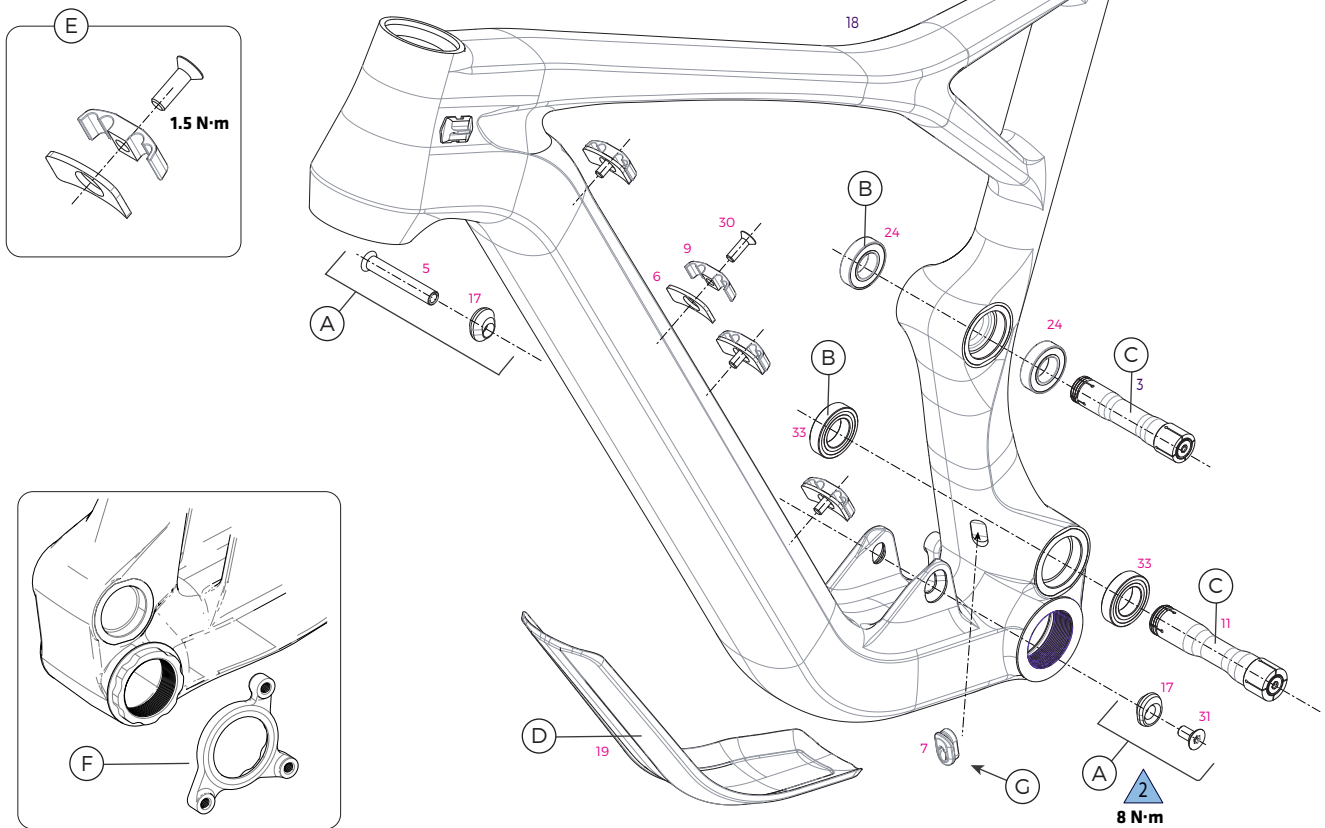
ID	Part Number	Description
G	K34019	LTS CS Protector 130/150/160
H	K34029	LTS SS Protector 130/150/160
I	K34039	LTS Heel Rub Protector 130/150/160
J	K34049	LTS CS Heel Rub Protector 130/150/160
K	KG0006N02	Derailleur Hanger TA ST SS 056
L	KG0007N02	Derailleur Hanger TA DM SS 057
M	K91020	Force Suspension Link 29 BLK
--	K34279	LTS Shock and ST Rub Guards 130/150/160
O	K34269	LTS Link CS Pivot Covers 130/150/160
P	K22059	GT ISCG Mount 3 Bolt

FORCE 27.5

2019 - 2020

Item	Specification
Wheel Size	27.5 in
Rear Travel	150 mm
Head Tube	UPR: 1-1/8 in, LWR: 1-1/2 in
Headset	Integrated, UPR: 1-1/8 in, LWR: 1-1/2 in
Bottom Bracket: Type/ Width	BSA / 73 mm
Front Derailleur	N/A
Seat Post: Dia./Binder	31.6 mm/ 34.9 mm
▲ Min. Seat Post Insert	100 mm
▲ Tire Size x Max. Width	27.5 in x 2.5 in (measured)
▲ Max. Fork Length	550 mm
Rear Shock: Eye-To-Eye / Stroke / Bushing Width	185 mm x 55 mm Metric Trunion/ 37.6 mm x M8

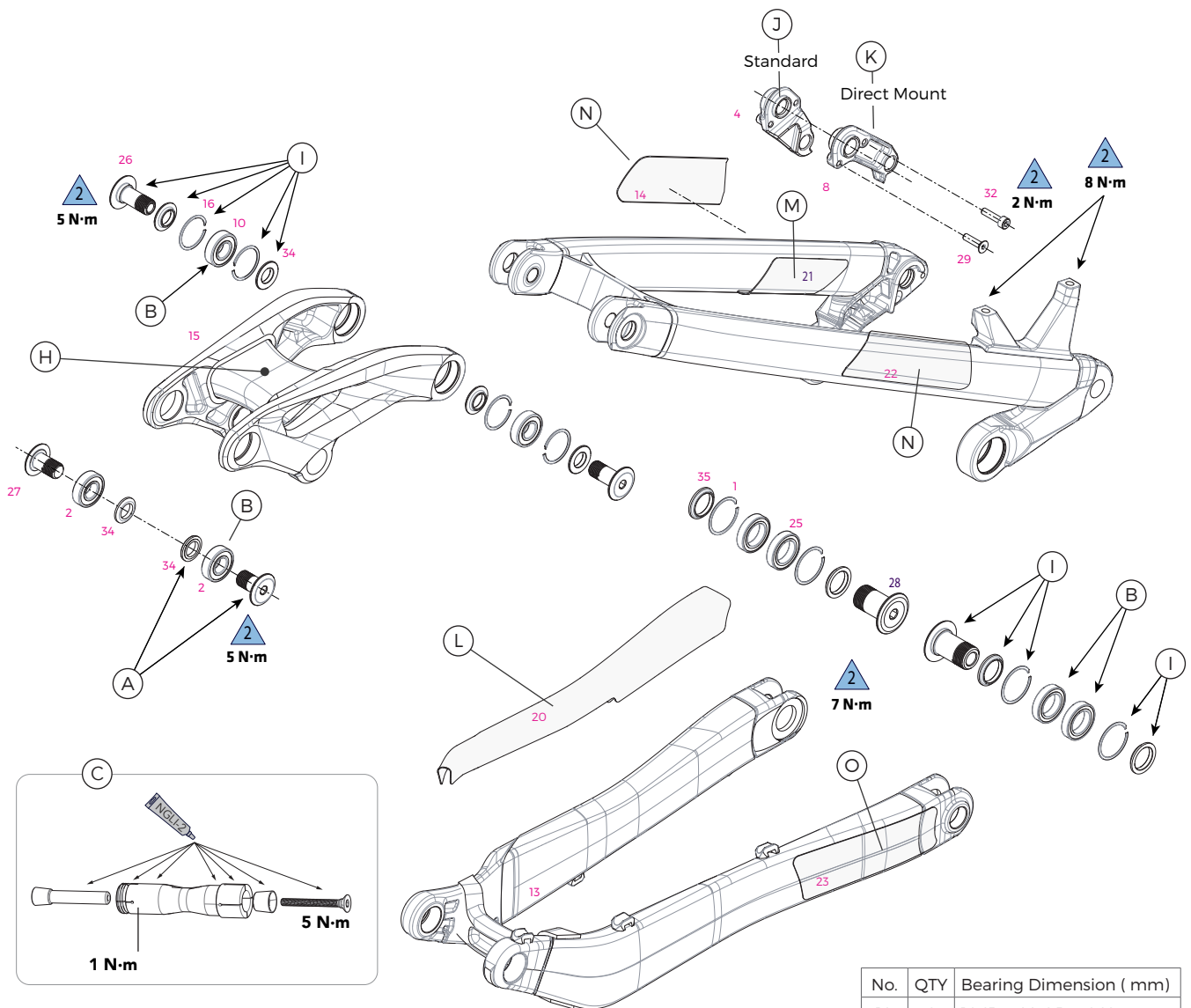
Item	Specification
Sag (measured at shock)	12.5 mm
Chain Guide	ISCG 05
Rear Brake: Mount Type / Min/Max Rotor Dia.	Post Mount / 180 mm / 203 mm
Rear Axle: Type/Length	Maxle TA / 148 x 12 mm, 180 mm Length
▲ Intended Use	ASTM CONDITION 4, All-Mountain
▲ Max. Weight Limit Total (rider+all equipment):	305 lbs / 138 kg



ID	Part Number	Description
A	K36038	Force/Sensor Shock Bolts and Flip Chips
B	K36008	Force/Sensor Pivot Link CS Bearings
C	K36009	Expanding Axle Hardware 79 mm and 87 mm
D	K34009	Force/Sensor DT Protector
E	K32008	GT Mountain Cable Guide x4
F	K22059	GT ISCG Mount 3 Bolt
G	K32048	Shift and Brake Grommets

FORCE 27.5

2019 - 2020



See **LOCKR** for instructions.

No.	QTY	Bearing Dimension (mm)
10	4	10 ID x 22 OD x 6 H
24	2	15 ID x 24 OD x 5 H
25	4	15 ID x 28 OD x 7 H
33	2	17 ID x 30 OD x 7 H

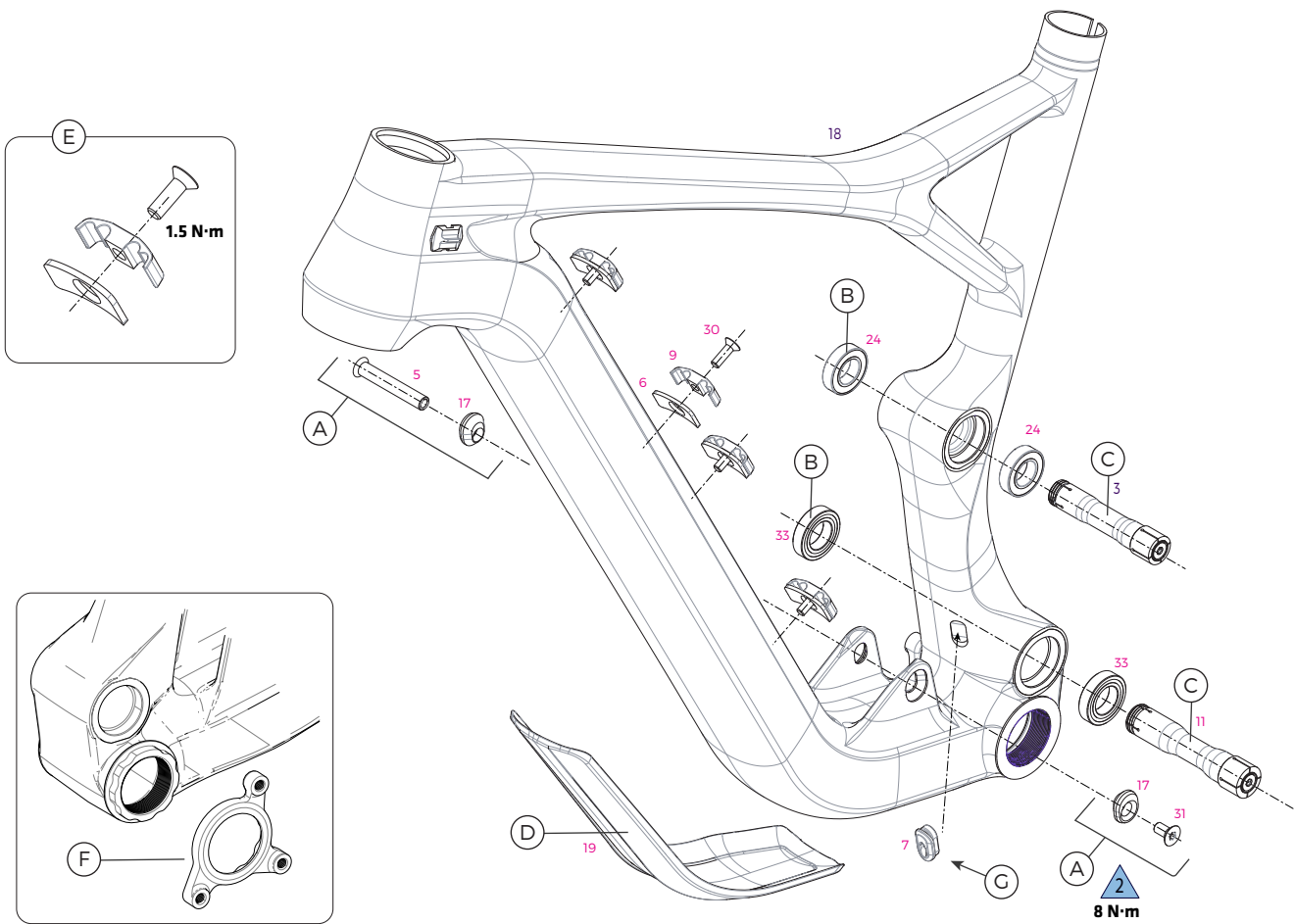
ID	Part Number	Description
H	K36069	Force Suspension Link 27.5 BLK
I	K36028	Force/Sensor Link CS Hardware
J	KG0006N02	Derailleur Hanger TA ST SS 056
K	KG0007N02	Derailleur Hanger TA DM SS 057
L	K34019	Force/Sensor CS Protector
M	K34029	Force/Sensor SS Protector
N	K34039	Force/Sensor SS Heel Rub Guard
O	K34049	Force/Sensor CS Heel Rub Guard
--	K34279	Force/Sensor Shock and ST Rub Protectors
--	K34269	Force/Sensor Link CS Pivot Covers

SENSOR 29

2019 - 2020

Item	Specification
Wheel Size	29 in
Rear Travel	130 mm
Head Tube	UPR: 1-1/8 in, LWR: 1-1/2 in
Headset	Integrated, UPR: 1-1/8 in, LWR: 1-1/2 in
Bottom Bracket: Type/Width	BSA / 73 mm
Front Derailleur	N/A
Seat Post: Dia./Binder	31.6 mm/ 34.9 mm
▲ Min. Seat Post Insert	100 mm
▲ Tire Size x Max. Width	29 in x 2.35 (measured)
▲ Max. Fork Length	540 mm

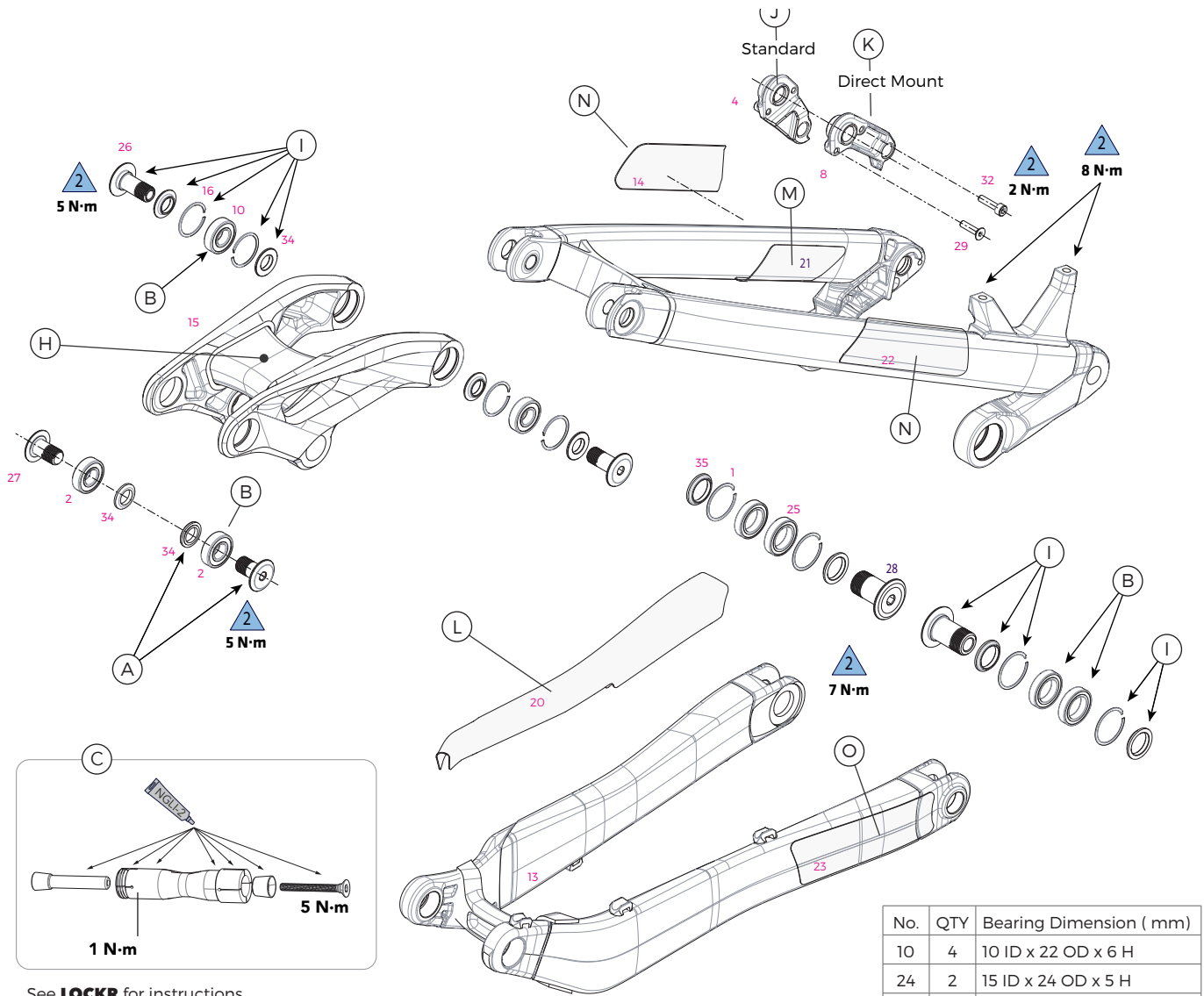
Item	Specification
Rear Shock: Eye-To-Eye / Stroke / Bushing Width	185 mm x 50 mm Metric Trunion/ 37.6 mm x M8
Sag (measured at shock)	12.5 m 12 mm
Chain Guide	ISCG 05
Rear Brake: Mount Type / Min/Max Rotor Dia.	Post Mount / 180 mm / 203 mm
Rear Axle: Type/Length	Maxle TA / 148 x 12 mm, 180 mm Length
▲ Intended Use	ASTM CONDITION 4, All-Mountain
▲ Max. Weight Limit Total (rider+all equipment):	305 lbs / 138 kg



ID	Part Number	Description
A	K36038	Force/Sensor Shock Bolts and Flip Chips
B	K36008	Force/Sensor Pivot Link CS Bearings
C	K36009	Expanding Axle Hardware 79 mm and 87 mm
D	K34009	Force/Sensor DT Protector
E	K32008	GT Mountain Cable Guide x4
F	K22059	GT ISCG Mount 3 Bolt
G	K32048	Shift and Brake Grommets

SENSOR 29

2019 - 2020



See **LOCKR** for instructions.

No.	QTY	Bearing Dimension (mm)
10	4	10 ID x 22 OD x 6 H
24	2	15 ID x 24 OD x 5 H
25	4	15 ID x 28 OD x 7 H
33	2	17 ID x 30 OD x 7 H

ID	Part Number	Description
H	K36059	Sensor Suspension Link 29/27.5+ BLK
I	K36028	Force/Sensor Link CS Hardware
J	KG0006N02	Derailleur Hanger TA ST SS 056
K	KG0007N02	Derailleur Hanger TA DM SS 057
L	K34019	Force/Sensor CS Protector
M	K34029	Force/Sensor SS Protector
N	K34039	Force/Sensor SS Heel Rub Guard
O	K34049	Force/Sensor CS Heel Rub Guard
--	K34279	Force/Sensor Shock and ST Rub Protectors
--	K34269	Force/Sensor Link CS Pivot Covers

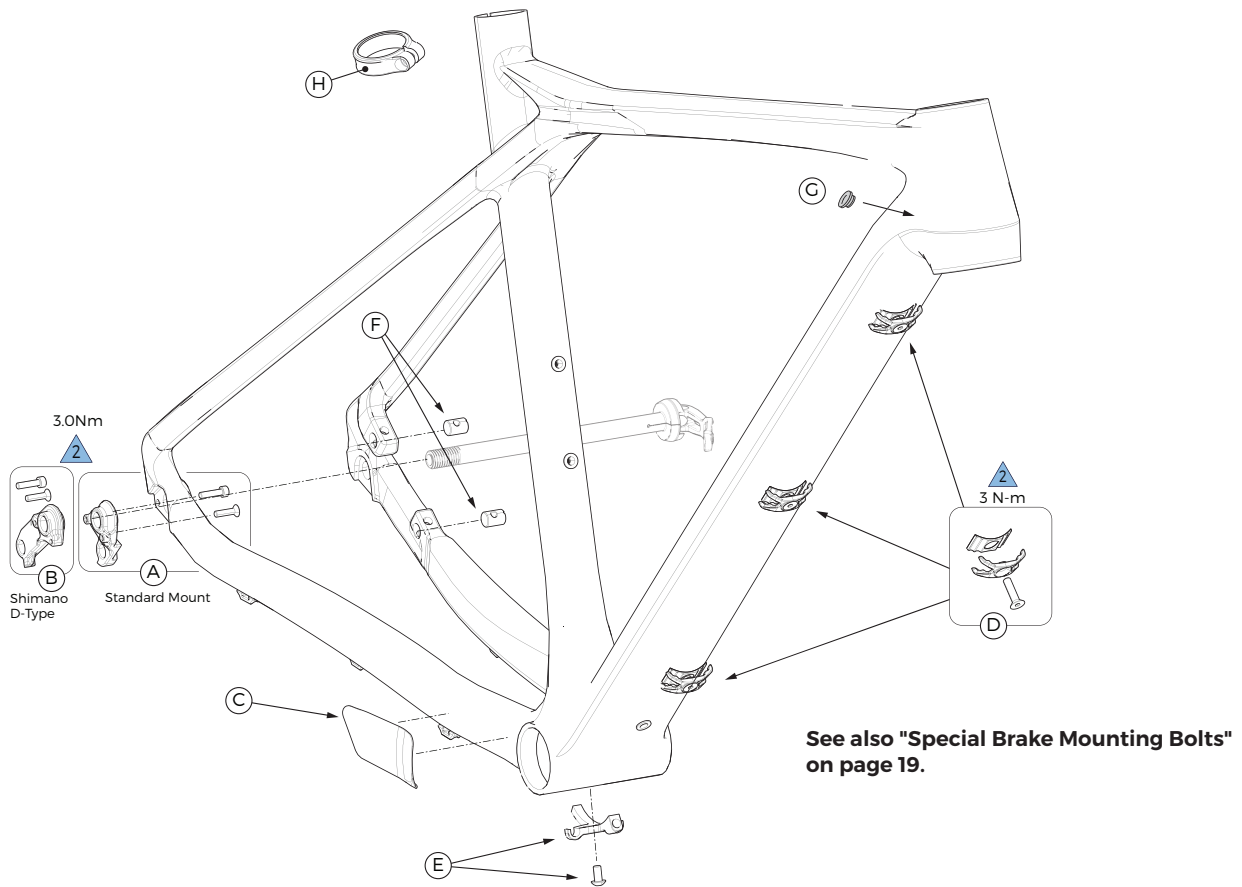
CARBON

ZASKAR

2018 - 2020

Item	Specification
Wheel Size	29 in
Head Tube	UPR: 1-1/8 in, LWR: 1-1/2 in
Headset	Integrated ACB 1-1/8 in - 1-1/2 in
Bottom Bracket: Type/ Width	PF92
Front Derailleur Clamp Dia. / Type	34.9 mm /Dual Pull
Seat Post: Dia. / Binder	31.6 mm / 35 mm
▲ Min. Seat Post Insert	75 mm

Item	Specification
▲ Tire Size x Max. Width	29 in x 2.3 in
▲ Max. Fork Length	505 mm
Rear Brake: Mount Type / Min/Max Rotor Dia.	Post Mount /160 mm / 180 mm
Rear Axle: Type / Length	MAXLE TA /142 mm x 12 mm 180mm Overall length
▲ Intended Use	ASTM CONDITION 3, Cross-Country, Marathon
▲ Max. Weight Limit Total (rider+all equipment)	305 lbs / 138 kg



ID	Part Number	Description
A	KG0006N02	Derailleur Hanger TA ST SS 056 Standard Mount
B	KG0007N02	Derailleur Hanger TA DM SS 057 Shimano Direct Mount
C	KG0103N01	Zaskar Carbon Chainsuck Protector
D	K32007	Downtube X Cable Guides (QTY-3)
E	KG0102N01	GT Hardtail Bottom Bracket Cable Guide
F	KG0017N02	M6 Post Mount Barrel Nut (QTY 10)
G	K32048	Shift & Brake Grommets
H	KG0057N01	Seatbinder GT 35 mm

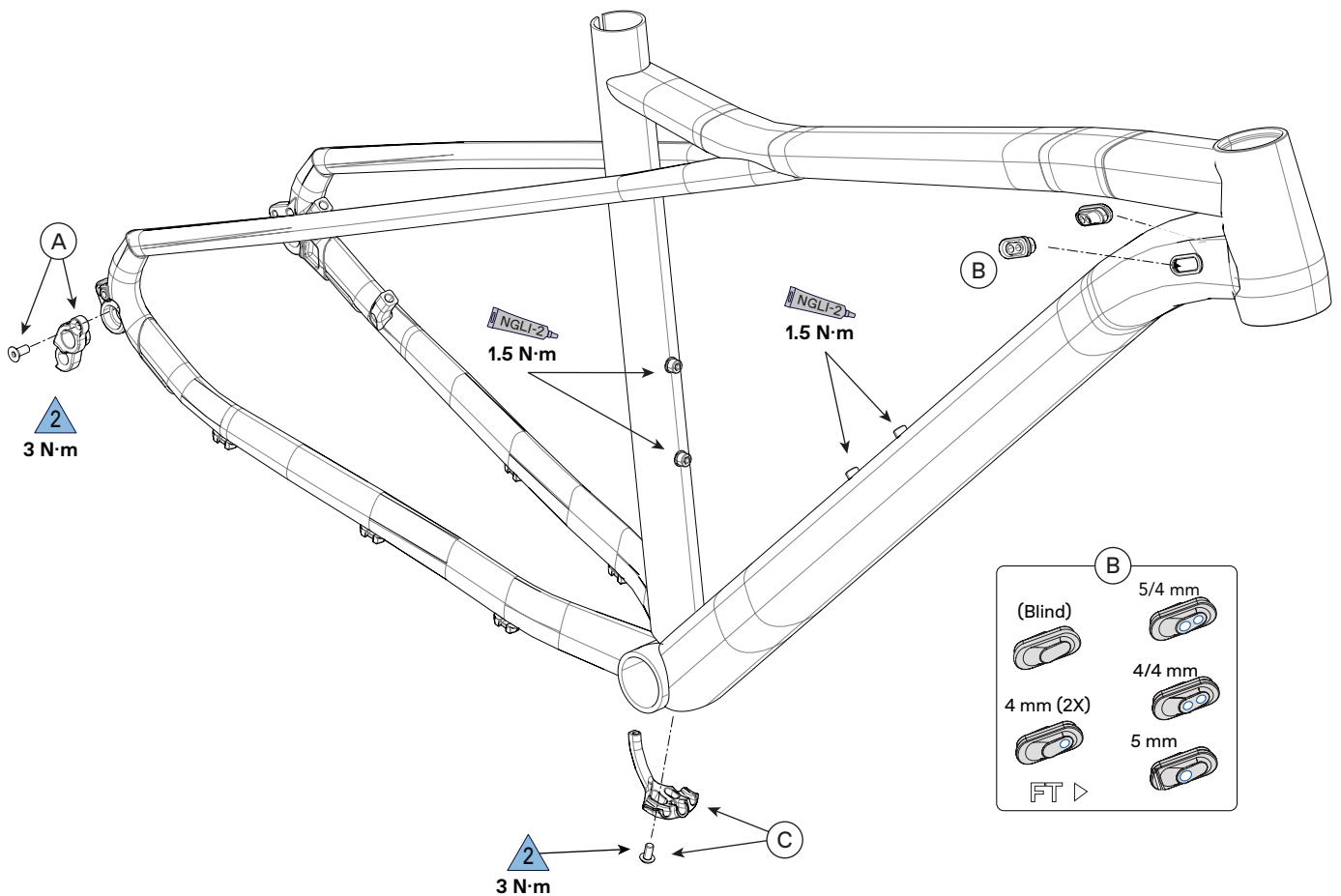
ALLOY

ZASKAR

2020

Item	Specification
Head Tube	UPR: 1-1/8" LWR: 1-1/2"
Headset	Integrated, 1-1/8" - 1-1/2"
Bottom Bracket: Type/Width	BSA/73mm
Front Derailleur	N/A
Seat Post: Dia./Binder	30.9mm/34.9mm
▲ Min. Seat Post Insert	100mm
▲ Tire Size x Max. Tire Width	29"x2.25"
▲ Max. Fork Length	525mm

Item	Specification
Chain Guide	N/A
Rear Brake: Mount Type / Min./Max. Rotor Dia.	Post mount / 160mm/180mm
Rear Axle: Type/Length	Maxle TA/148x12mm, 180mm Overall Length
▲ Intended Use	ASTM CONDITION 3, Cross Country, Marathon
▲ Max. Weight Limit: Total (rider+all equipment)	305lbs/138kg



ID	Part Number	Description
A	K33059	Derailleur Hanger TA ST SS 074
B	K32210	GT Shift/Brake Keyhole Grommets
C	K32220	GT BB Cable Guide E206909

GRADE

2020

Item	Specification
Head Tube	UPR: 1-1/8 in, LWR: 1-1/4 in
Headset	FSA No.44E, UPR: 1-1/8 in, LWR: 1-1/4 in
Bottom Bracket: Type / Width	PF30 (sleeved) / 68 mm
Front Derailleur	Brazed-on
Seat Post: Dia./Binder	27.2 mm / 31.8 mm
▲ Min. Seat Post Insert	65 mm
▲ Max. Seat Post Insert	See Table A. below
▲ Tire Size x Max. Width	700c x 40 mm (measured)

Item	Specification
Brakes: Mount Type / Min/Max Rotor Dia.	RR: Flat Mount / 160 mm / 180 mm Only, FR: Flat Mount / 160 mm / 180 mm Only
Axles: Type/Length	FR: Maxle TA / 100 x 12 mm RR: Syntace TA / 142 x 12 mm, M12x1, Single Lead
▲ Intended Use:	ASTM Condition 2. General Purpose Riding
▲ Max. Weight Limit: Total	285 lbs / 129 kg (rider + all equipment)

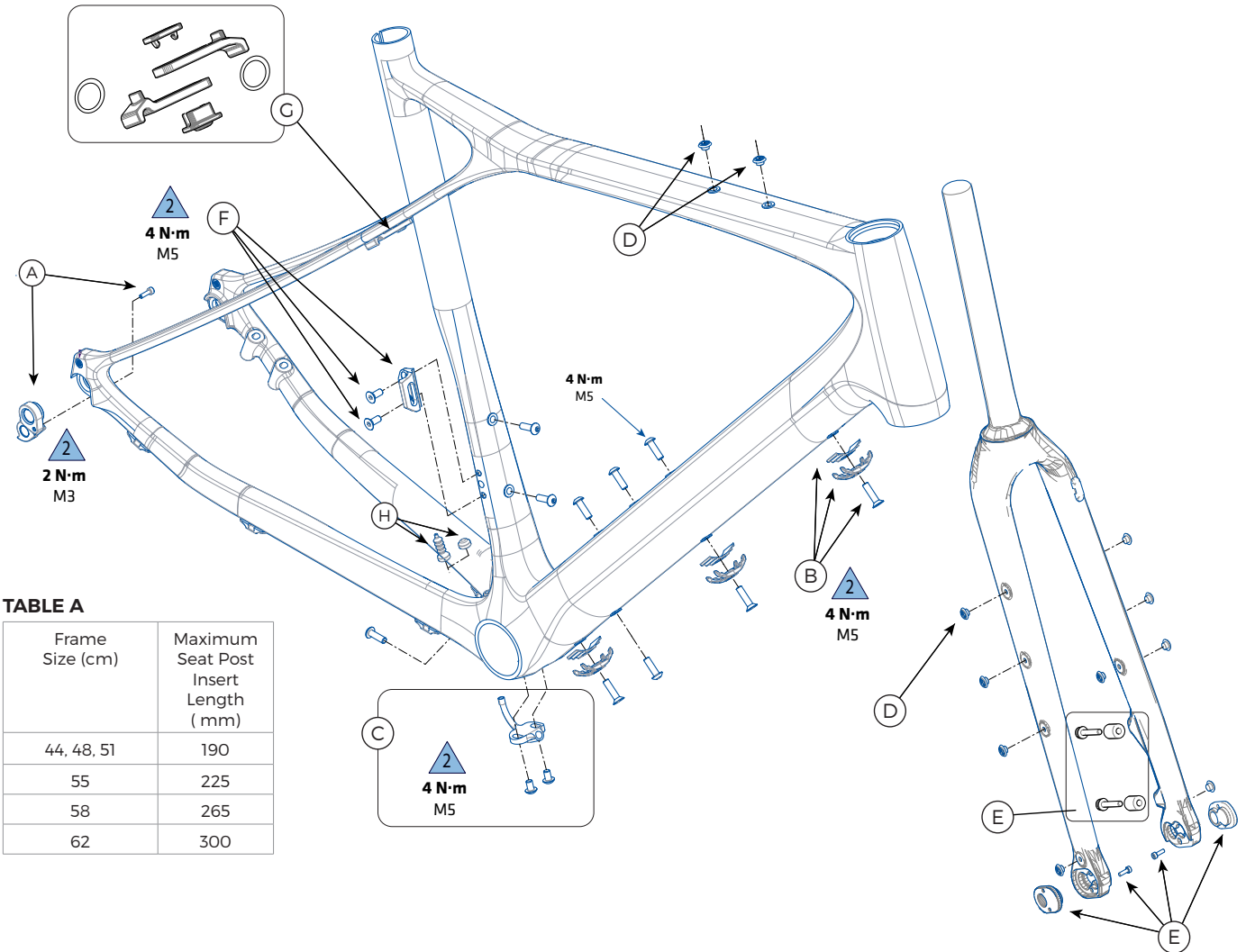


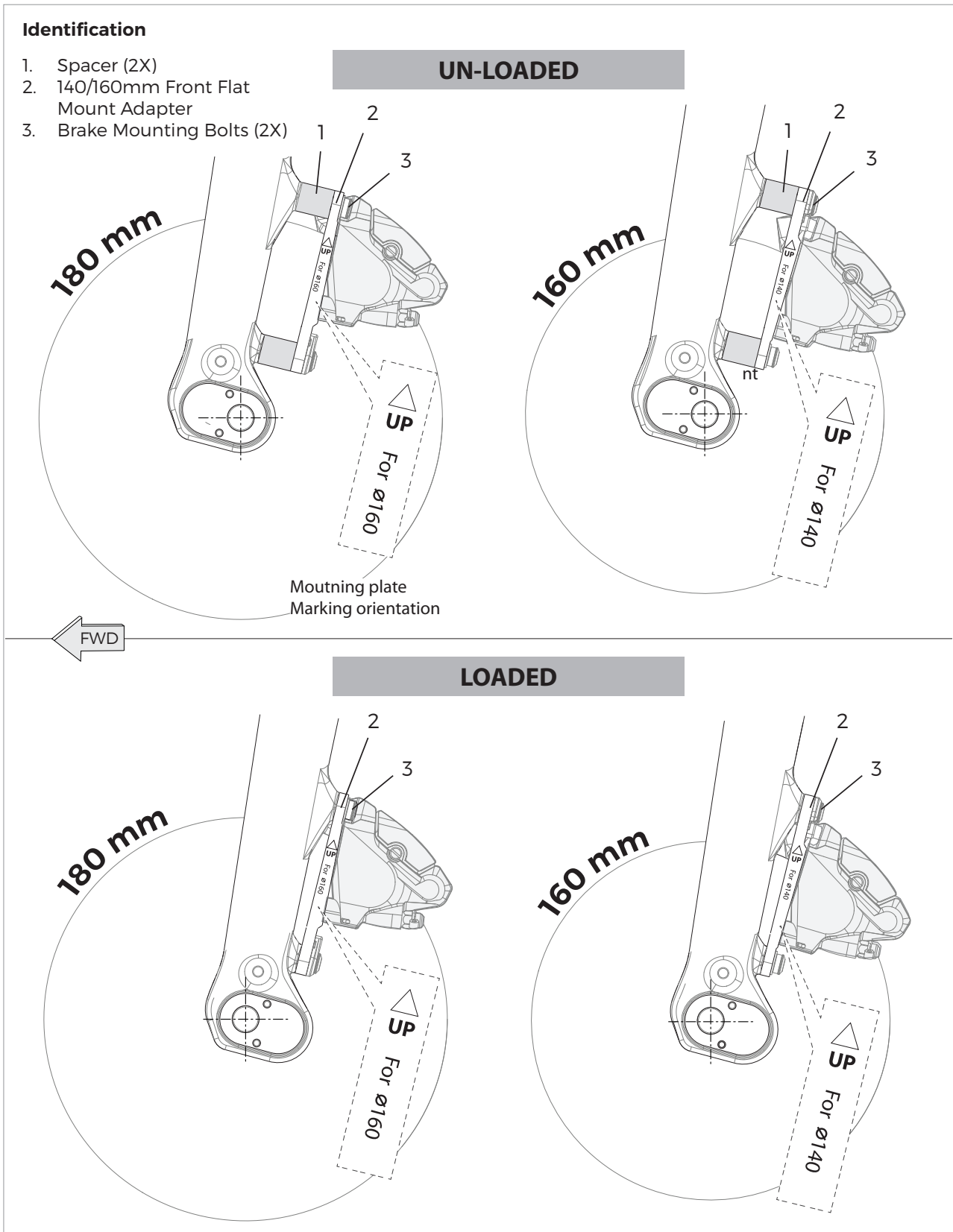
TABLE A

Frame Size (cm)	Maximum Seat Post Insert Length (mm)
44, 48, 51	190
55	225
58	265
62	300

ID	Part Number	Description
A	K33030	Derailleur Hanger TA ST SS 075
B	K32007	Downtube X Cable Guides QTY 3
C	K32200	BB Cable Guide E249071
D	K34010	Grade Frame Grommets QTY 5

ID	Part Number	Description
E	K25009	Thru Axle Flip Chips
F	K33020	Grade Crb Front Derailleur Hanger
G	K11010	Grade Crb Fender Bridge
H	K32290	Grade FD Plugs

GRADE Flip Chip - Brake System Set-Up



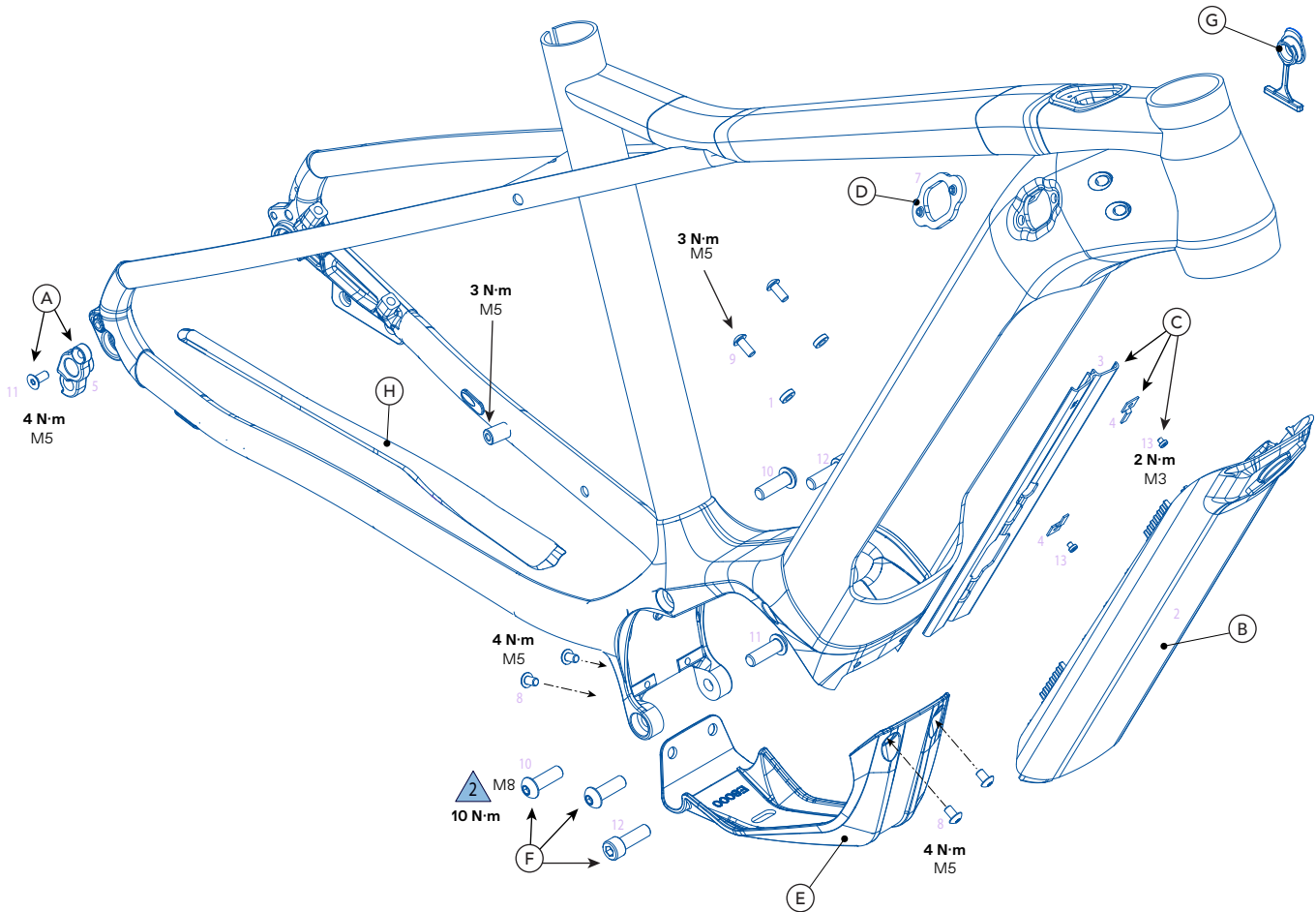
This page has been left blank intentionally.

ePANTERA

2020

Item	ePantera Specification		
Model	Bolt	Current	Dash
Drive System - Shimano	DU-E8000	DU-E7000	DU-E5000
Battery - Shimano	BT-E8035		
Drive-Assist Owner's Manual	https://si.shimano.com/		
Head Tube	UPR: 1-1/8" LWR: 1-1/2"		
Headset	Semi-Integrated, 1-1/8" - 1-1/2"		
Bottom Bracket: Type/Width	Shimano Drive Unit		
Front Derailleur	N/A		
Seat Post: Dia./Binder	31.6 mm/34.9 mm		
▲ Min. Seat Post Insert	100 mm		

Item	ePantera Specification		
Model	Bolt	Current	Dash
▲ Tire Size x Max. Tire Width	27.5 x 2.8 in (measured)		
▲ Max. Fork Length	530 mm		
Rear Brake: Mount Type / Min./Max. Rotor Dia.	Post Mount / 180 mm/203 mm		
Rear Axle: Type/Length	148 x 12mm**		
▲ Intended Use	ASTM CONDITION 3, Cross Country, Marathon		
▲ Max. Weight Limit: Total (rider+all equipment)	305lbs/138kg		



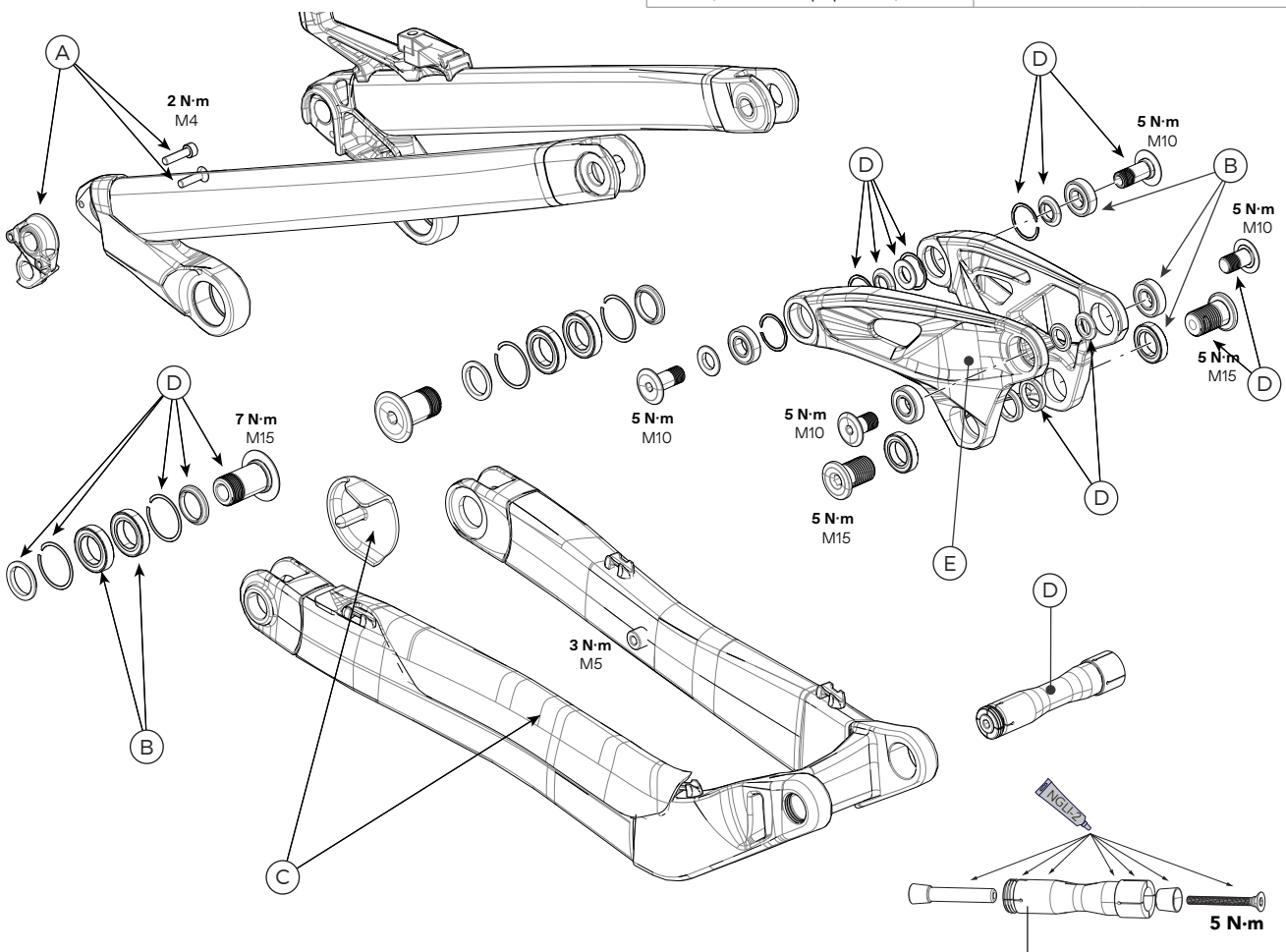
ID	Part Number	Description
A	K33059	Derailleur Hanger TA ST SS 074
B	K3418010	GT Battery Cover DT Bottom Exit BLK
C	K32310	DT Cable Channel
D	K76090	Remote Charging Port Threaded Plate
E	K34190	E8000 Skid Plate
	K34200	E7000 Skid Plate
	K34310	E5000 GT Skid Plate
F	K76100	Motor Mounting Bolts Qty 6
G	K34211	Neo Key Cover
H	K34340	E Hardtail CS SS Protectors

eFORCE

2020

Item	Specification	
Model	Amp	Current
Drive System	Shimano DU-E8000	Shimano DU-E7000
Battery	Shimano BT-E8035	
Drive-Assist Owner's Manual	https://si.shimano.com/	
Rear Travel	150 mm	
Head Tube	UPR: 1-1/8" LWR: 1-1/2"	
Headset	Integrated, 1-1/8" - 1-1/2"	
Bottom Bracket: Type / Width	Shimano Drive Unit	
Front Derailleur	N/A	
Seat Post: Dia. / Binder	31.6mm/34.9mm	
▲ Min. Seat Post Insert	100 mm	

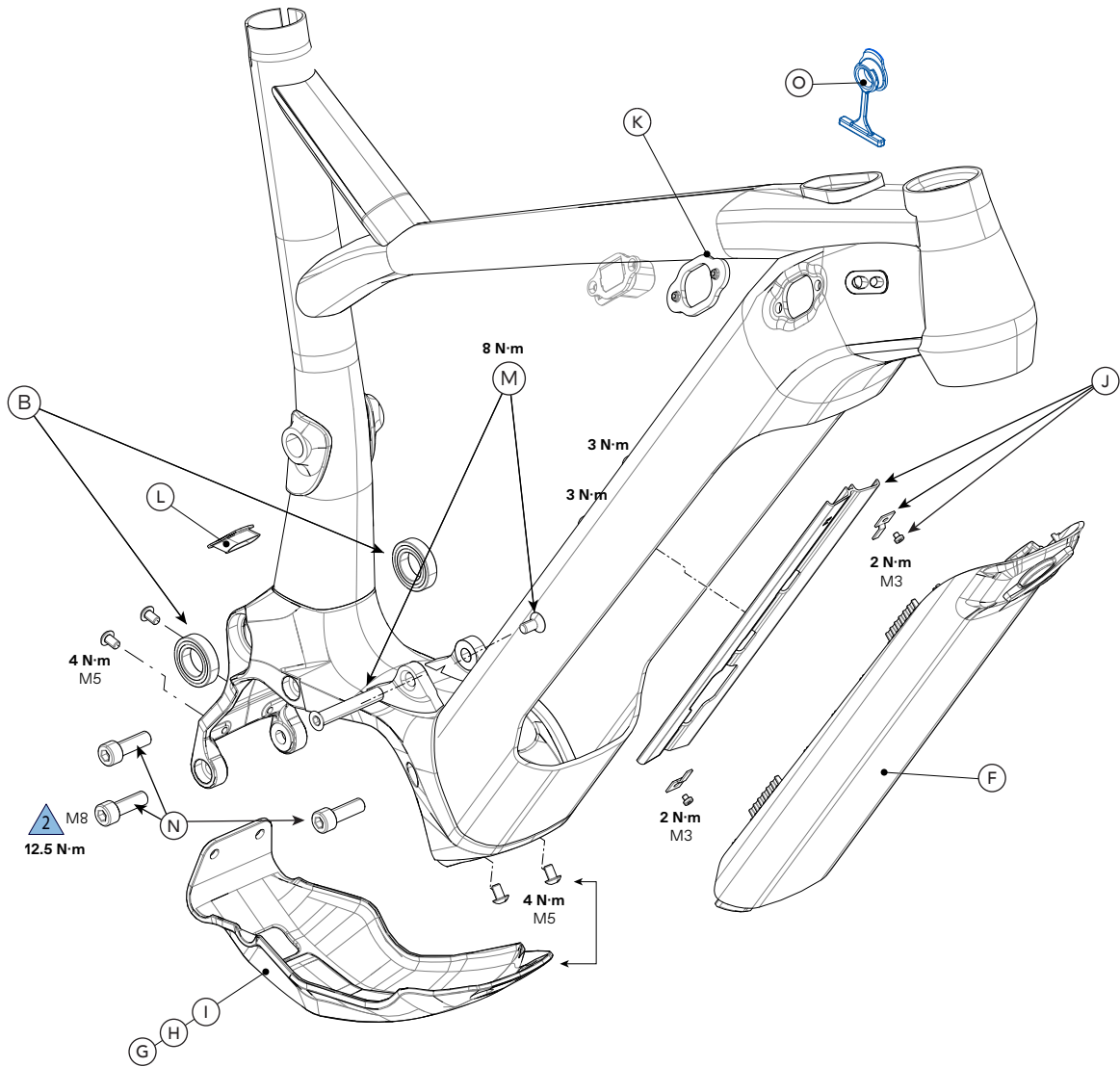
Item	Specification	
Model	Amp	Current
▲ Tire Size x Max. Width (measured)	29 x 2.6 in (measured)	
▲ Max. Fork Length	557 mm	
Rear Shock: Eye-To-Eye / Stroke / Bushing Width	185mm x 55mm Metric Trunnion/37.6 x M8	
Sag (measured at the shock)	13mm-15mm, 25%	
Rear Brake: Mount Type / Min / Max Rotor Dia.	Post Mount / 180mm/203mm	
Rear Axle: Type / Length	Maxle TA/148x12mm 180mm Overall Length	
▲ Intended Use	ASTM CONDITION 4, All-Mountain	
▲ Max. Weight Limit Total (rider+all equipment):	305 lbs / 138 kg	



ID	Part Number	Description
A	KG0006N02	Derailleur Hanger TA ST SS 056
B	K36280	eForce Link CS MP Bearings
C	K34300	eForce CS Horst Link Guards
D	K36260	eForce Link CS MP Hardware
E	K91070	eForce Suspension Link 29

eFORCE

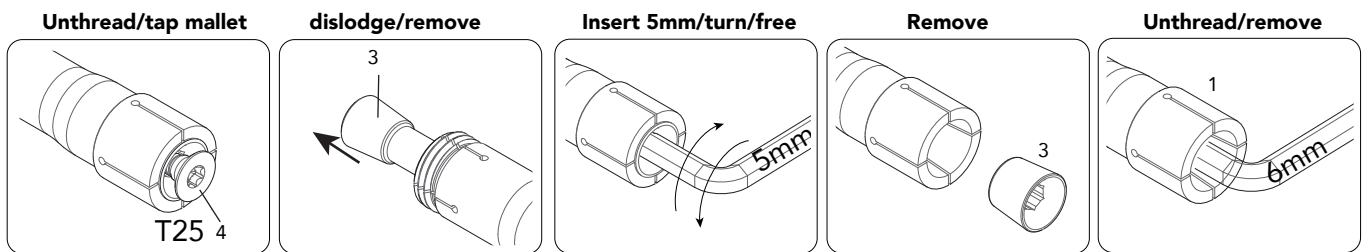
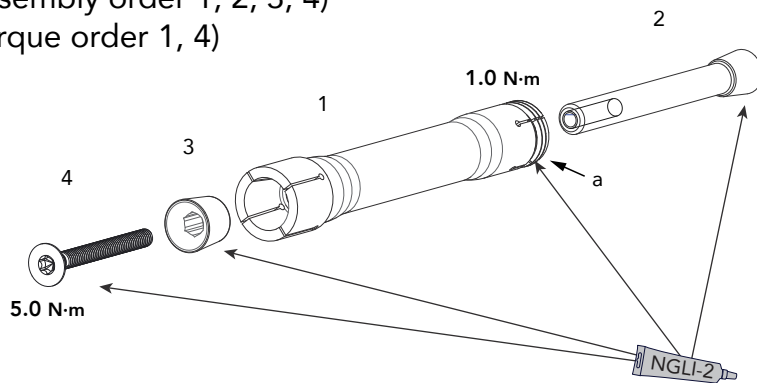
2020



ID	Part Number	Description
F	K3418010	GT Battery Cover DT Bottom Exit BLK
G	K34190	E8000 GT Skid Plate
H	K34200	E7000 GT Skid Plate
I	K34310	E5000 GT Skid Plate
J	K32310	DT Cable Channel
K	K76090	Remote Charging Port Threaded Plate
L	K32029	Neo Cable Exit Port
M	K36270	eForce Shock Mount Hardware
N	K76100	Motor Mounting Bolts Qty 6
O	E366994	Neo Key Cover

LOCKR PIVOT

(Assembly order 1, 2, 3, 4)
(Torque order 1, 4)



(removal technique)

Installation

- Disassemble and clean all parts of the LockR axle. Do not install it assembled.

Inspect the parts for damage (burrs, scratches, deformity, wear). Replace the entire LockR assembly if any damage is found.
- Apply a light coating of a high-quality bicycle bearing grease to all parts.
- Align the linkage and bearing and insert the threaded end of the pivot axle (1) into the non-drive side.
- Tighten the inserted pivot axle to 1 N-m using a 6 mm hex key fitted torque wrench from the non-drive side.

NOTICE

Use a calibrated torque wrench. Exceeding 1 N-m will result in permanent damage to the LockR pivot system.

- Insert the wedge bolt (2) into the drive side of the axle and insert the small end of the wedge (3) into the non-drive side axle head.
- Thread the screw (4) into wedge bolt with a wrench and tighten to 5.0 N-m.

Removal

IMPORTANT: Be sure to support the bike or swingarm to prevent personal injury or bike damage when removing/disconnecting linkages of an axle.

- Loosen the screw (4) 4-6 turns using a T25 Torx key.
- Tap head of screw (4) with a rubber mallet to un-seat the wedge bolt (2).
- Remove the screw (4) and wedge bolt (2) from the axle (1).
- Insert a 5 mm hex key to twist the wedge (3) free and remove it (shown). If wedge sticks insert a wooden or plastic dowel into the drive side and use it to tap out the wedge (3).
- Insert a 6 mm hex key into the axle (1) on the non-drive side and turn counter-clockwise until it can be removed.

Special Brake Mounting Bolts

2019 - 2020

The following bike models require the use of special, longer length rear brake attachment bolts :

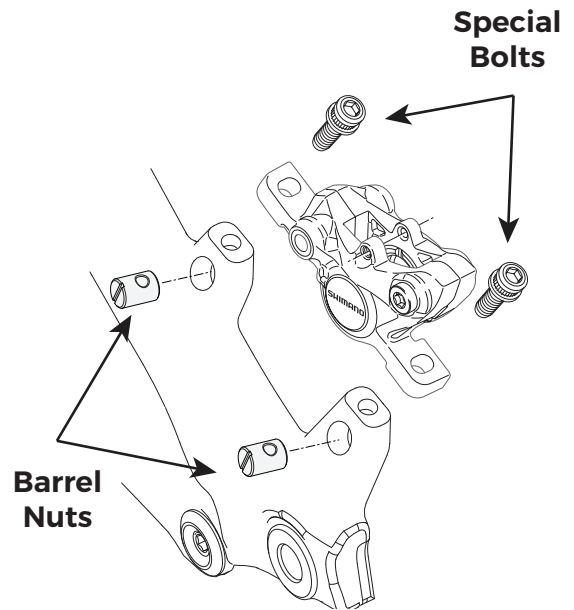
HELION CARBON (2015-2018)

FORCE CARBON (2015-2018)

SENSOR CARBON (2015-2018)

ZASKAR CARBON (2016-2020)

- Correct length bolts are required to ensure correct thread engagement of any brake caliper.
- Your bike has been assembled with the correct length bolts.
- If you change the original equipment brakes, on your bike or are building a frameset be sure to use the correct length brake bolts.
- Apply Loctite 242 (blue) to the bolt threads and tighten to the specified torque.
- Consult Cycling Sports Group Support.



Part Number	Description	SHIMANO		SRAM	
		180	160	180	160
KG0066N01	Kit Caliper Bolt XT AOS 180	✓			
KG0064N01	Kit Caliper Bolt XTR AOS 180	✓			
KG0067N01	Kit Caliper Bolt XT AOS 160 Direct Mount		✓		
KG0065N01	Kit Caliper Bolt XTR AOS 160 Direct Mount		✓		
Consult CSG Support	SRAM 21 mm Caliper Bolts			✓	✓
KG0017N02	M6 Post Mount Barrel Nut (QTY 10)	✓	✓	✓	✓

⚠ WARNING

USE ONLY THE SPECIAL LENGTH BRAKE CALIPER MOUNTING BOLTS. YOU CAN BE SERIOUSLY INJURED, PARALYZED OR KILLED IF YOU IGNORE THIS WARNING.

CORE

2020

Aggressor 27.5 & 29

Item	Specification
Head Tube	1 1/8 in
Bottom Bracket Type/Width	BSA/73 mm
Front Derailleur	31.8 mm Clamp
Seat Post Dia./Binder	27.2 mm / 31.8 mm
Max Tire Size	27.5 in: 27.5 in x 57 mm (measured)
	29 in: 29 in x 57 mm (measured)"
Max. Fork Travel	467 mm
Rear Brake: Mount type/Dia	Post Mount / 160 mm
Rear Axle: Type/Length	QR / 135 mm
Max. Weight Limit	300 lbs.

Part Number	Description	Notes
ATIDH0246	Derailleur Hanger QR ST SS 054	
KG0102N01	GT Hardtail Bottom Bracket Cable Guide	
K32007	Downtube X Cable Guides x3	
K32130	Brake Hose Guide NDS CS	

CORE

2020

Avalanche 27.5 & 29

Item	Specification
Head Tube	1 1/8" - 1 1/2"
Bottom Bracket Type/Width	BSA/73 mm
Front Derailleur	Direct Mount
Seat Post Dia./Binder	30.9 mm/34.9mm
Max. Tire Size	27.5 in: "27.5" x 58mm (measured)
	29 in: 29" x 58mm (measured)
Max. Fork Length	500 mm
Rear Brake: Mount type/Dia	Post Mount/160 mm
Rear Axle: Type/Length	QR/141mm
Max. Weight Limit	300 lbs.

Part Number	Description	Notes
K35000	1-1/8-1.5 Semi Int Hdset 28.6/44-56/39.8	
ATIDH0233	Derailleur Hanger QR ST SS 048	
K32210	GT Shift/Brake Keyhole Grommets	
K32220	GT BB Cable Guide E206909	
K83039	QR Skewer 141x9 158mm	
K82000	All Terra 141x9mm Hub 32h 6 bolt S11	

Transeo

Item	Specification
Head Tube	1 1/8"
Bottom Bracket Type/Width	BSA/73mm
Front Derailleur	31.8mm
Seat Post Dia./Binder	27.2mm/31.8mm
Tire Size	700c x 50mm (measured)
Max. Fork Length	493mm
Rear Brake: Mount type/Min./Max. RotorDia	Post Mount / 160mm180mm
Rear Axle: Type/Length	QR/135mm
Max. Weight Limit	300 lbs.

Part Number	Description	Notes
K33177	Derailleur Hanger QR ST SS 007	
KG0102N01	GT Hardtail Bottom Bracket Cable Guide	
K32210	GT Shift/Brake Keyhole Grommets	

BMX

2019 - 2020

Air

Item	Specification
Head Tube	1 1/8"
Bottom Bracket Type/Width	American
Seat Post Dia./Binder	25.4 mm/28.6mm
Tire Size/Max. Tire Width	RR: 20" x 2.2"/57 mm (measured)
Rear Brake: Mount type	U-Brake
Front Axle: Type/Length	3/8"/100 mm
Rear Axle: Type/Length	14 mm/110 mm

Hertiage Dyno Pro Compe 29 (2020)

Item	Specification
Head Tube	1 1/8"
Bottom Bracket Type	MID
Seat Post Dia./Binder	25.4 mm/28.6 mm
Tire Size/Max. Tire Width	29" x 2.5"/63.5 mm (measured)
Rear Brake: Mount type/Dia	V-Brake
Front Axle: Type/Length	3/8"/100 mm
Rear Axle: Type/Length	3/8"/110 mm

La Bomba

Item	Specification
Head Tube	1 1/8"-1.5" Tapered
Rear Brake: Mount type/Dia	IS/160 mm
Bottom Bracket Type/Width	Euro
Rear Axle: Type/Length	3/8"/135 mm
Seat Post Dia./Binder	27.2 mm/31.8 mm
Tire Size/Max. Tire Width	26" x 2.2"/26" x 61 mm (measured)
Max. Fork Length	478 mm

Part Number	Description	Notes
K86019	LaBomba Axle Adapters and Hardware	

BMX

2019 - 2020

Mach One Pro

Item	Specification
Head Tube	1 1/8"
Bottom Bracket Type	Euro
Seat Post Dia./Binder	27.2 mm/31.8 mm
Tire Size/Max. Tire Width	20" X 1.75"/50 mm (measured)
Rear Brake: Mount type	Linear Pull
Front Axle: Type/Length	3/8"/100 mm
Rear Axle: Type/Length	3/8"/110 mm

Mach One Expert

Item	Specification
Head Tube	1 1/8"
Bottom Bracket Type	Euro
Seat Post Dia./Binder	25.4/28.6
Tire Size/Max. Tire Width	20" X 1 3/8"/35 mm (measured)
Rear Brake: Mount type	Linear Pull
Front Axle: Type/Length	3/8"/100 mm
Rear Axle: Type/Length	3/8"/110 mm

Mach One Mini

Item	Specification
Head Tube	1"
Bottom Bracket Type	Euro
Seat Post Dia./Binder	25.4/28.6
Tire Size/Max. Tire Width	20" X 1 1/8"/35 mm (measured)
Rear Brake: Mount type	Linear Pull
Front Axle: Type/Length	3/8"/100 mm
Rear Axle: Type/Length	3/8"/110 mm

Mach One Junior

Item	Specification
Head Tube	1"
Bottom Bracket Type	Euro
Seat Post Dia./Binder	25.4/28.6
Tire Size/Max. Tire Width	FR: 20" x 1 3/8" /35 mm (measured) RR: 20" X 1 1/8"/35 mm (measured)
Rear Brake: Mount type	Linear Pull

BMX

2019 - 2020

Item	Specification
Front Axle: Type/Length	3/8"/100 mm
Rear Axle: Type/Length	3/8"/110 mm

Mach One 16

Item	Specification
Head Tube	1 1/8"
Bottom Bracket Type	American
Seat Post Dia./Binder	22.2 mm/26.8 mm
Tire Size/Max. Tire Width	16" x 1.75"/45 mm measured
Rear Brake: Mount type	Linear Pull
Front Axle: Type/Length	3/8"/100 mm
Rear Axle: Type/Length	3/8"/110 mm

Mach One 24

Item	Specification
Head Tube	1 1/8"
Bottom Bracket Type	Euro
Seat Post Dia./Binder	27.2 mm/31.8 mm
Tire Size/Max. Tire Width	FR: 24" x 2.125"/54 mm (measured) RR: 24" x 1.75"/54 mm (measured)
Rear Brake: Mount type	Linear Pull
Front Axle: Type/Length	3/8"/100 mm
Rear Axle: Type/Length	3/8"/110 mm

Performer

Item	Specification
Head Tube	1 1/8"
Bottom Bracket Type	MID
Seat Post Dia./Binder	25.4 mm/Integrated
Tire Size/Max. Tire Width	FR:20" x 2.35"/61 mm (measured) RR:20" x 2.2"/61 mm (measured)
Rear Brake: Mount type/Dia	U-Brake
Front Axle: Type/Length	3/8"/100 mm
Rear Axle: Type/Length	14 mm/110 mm

BMX

2019 - 2020

Pro Performer Heritage 26

Item	Specification
Head Tube	1 1/8"
Bottom Bracket Type	MID
Seat Post Dia./Binder	25.4 mm/28.6 mm
Tire Size/Max. Tire Width	26" x 2.2"/61 mm (measured)
Rear Brake: Mount type	U-Brake
Front Axle: Type/Length	3/8"/100 mm
Rear Axle: Type/Length	3/8"/110 mm

Part Number	Description	Notes
K22018	Mid Bottom Bracket With Spindle	
K22028	Mid Bottom Bracket Bearings And Hardware	
K2205870	3 Piece BMX Crankarm Left 170mm	
K2206870	3 Piece BMX Crankarm Right 170mm	

Pro Series Heritage 24

Item	Specification
Head Tube	1 1/8"
Bottom Bracket Type	MID
Seat Post Dia./Binder	27.2mm/31.6mm
Tire Size/Max. Tire Width	24" x 2.5"/63.5 mm (measured)
Rear Brake: Mount type/Dia	V-Brake
Front Axle: Type/Length	3/8"/100mm
Rear Axle: Type/Length	3/8"/110mm

Pro Series Heritage 26

Item	Specification
Head Tube	1 1/8"
Bottom Bracket Type	MID
Seat Post Dia./Binder	27.2mm/31.6mm
Tire Size/Max. Tire Width	26" x 2.5"/63.5 mm (measured)
Rear Brake: Mount type	V-Brake
Front Axle: Type/Length	3/8"/100mm
Rear Axle: Type/Length	3/8"/110mm

BMX

2019 - 2020

Pro Series Heritage 29

Item	Specification
Head Tube	1 1/8"
Bottom Bracket Type/Width	MID
Seat Post Dia./Binder	27.2mm/31.6mm
Tire Size/Max. Tire Width	29" x 2.5"/63.5 mm (measured)
Rear Brake: Mount type	V-Brake
Front Axle: Type/Length	3/8"/100mm
Rear Axle: Type/Length	3/8"/110mm

Slammer

Item	Specification
Head Tube	1 1/8"
Bottom Bracket Type/Width	American
Seat Post Dia./Binder	25.4 mm/Integrated
Tire Size/Max. Tire Width	FR: 20" x 2.35"/61 mm (measured) RR: 20" x 2.2"/57 mm (measured)
Rear Brake: Mount type	U-Brake
Front Axle: Type/Length	3/8"/100 mm
Rear Axle: Type/Length	14 mm/110 mm

Part Number	Description	Notes
K22038	American 68mm Loose Ball Bottom Bracket	
K2204870	2 Piece BMX Crank 170mm	
K81008	One Piece Driver RH 9T	

BMX

2019 - 2020

Speed Series Expert

Item	Specification
Head Tube	1 1/8"
Bottom Bracket Type/Width	Euro
Seat Post Dia./Binder	22.2 mm/25.4 mm
Tire Size/Max. Tire Width	20" x 1 3/8"/35 mm (measured)
Rear Brake: Mount type/Dia	Linear Pull
Front Axle: Type/Length	20 mm/100 mm
Rear Axle: Type/Length	3/8"/110 mm

Speed Series Expert XL

Item	Specification
Head Tube	1 1/8"
Bottom Bracket Type/Width	Euro
Seat Post Dia./Binder	27.2 mm/31.8 mm
Tire Size/Max. Tire Width	20" x 1.5"/45 mm (measured)
Rear Brake: Mount type/Dia	Linear Pull
Front Axle: Type/Length	20 mm/100 mm
Rear Axle: Type/Length	3/8"/110 mm

Speed Series Junior

Item	Specification
Head Tube	1"
Bottom Bracket Type/Width	Euro
Seat Post Dia./Binder	22.2 mm/25.4
Tire Size/Max. Tire Width	20" x 1 1/8"/35 mm (measured)
Rear Brake: Mount type/Dia	Linear Pull
Front Axle: Type/Length	3/8"/100 mm
Rear Axle: Type/Length	3/8"/110 mm

BMX

2019 - 2020

Speed Series Micro, Mini

Item	Specification
Head Tube	1"
Bottom Bracket Type/Width	Euro
Seat Post Dia./Binder	22.2 mm/25.4
Tire Size/Max. Tire Width	20" x 1 1/8"/35 mm (measured)
Rear Brake: Mount type/Dia	Linear Pull
Front Axle: Type/Length	3/8"/100 mm
Rear Axle: Type/Length	3/8"/110 mm

Speed Series Pro,Pro XL XXL XXXL

Item	Specification
Head Tube	1 1/8" - 1 1/2"
Bottom Bracket Type/Width	BB86
Seat Post Dia./Binder	27.2 mm/31.8 mm
Tire Size/Max. Tire Width	20" x 1.75"/50 mm (measured)
Rear Brake: Mount type/Dia	Post Mount/140 mm
Front Axle: Type/Length	20 mm/100 mm
Rear Axle: Type/Length	3/8"/110 mm

Speed Series Pro,Pro XL24

Item	Specification
Head Tube	1 1/8" - 1 1/2"
Bottom Bracket Type/Width	BB86
Seat Post Dia./Binder	27.2 mm/31.8 mm
Tire Size/Max. Tire Width	24" x 1.75"/50 mm (measured)
Rear Brake: Mount type/Dia	Post Mount/140 mm
Front Axle: Type/Length	20 mm/100 mm
Rear Axle: Type/Length	3/8"/110 mm

Part Number	Description	Notes
K31009	GT BMX Disc Dropout Brake Mount	
K33058	Chain Tensioner Speed/Pro	

BMX

2019 - 2020

Street Performer 29

Item	Specification
Head Tube	1 1/8"
Bottom Bracket Type	MID
Seat Post Dia./Binder	25.4 mm/28.6 mm
Tire Size/Max. Tire Width	29" x 2.5"/63.5 mm (measured)
Rear Brake: Mount type/Dia	V-Brake
Front Axle: Type/Length	3/8"/100 mm
Rear Axle: Type/Length	3/8"/110 mm

Part Number	Description	Notes
K22018	Mid Bottom Bracket With Spindle	
K22028	Mid Bottom Bracket Bearings And Hardware	
K2205870	3 Piece BMX Crankarm Left 170mm	
K2206870	3 Piece BMX Crankarm Right 170mm	

Team Editions

Item	Specification
Head Tube	1 1/8"
Bottom Bracket Type	MID
Seat Post Dia./Binder	25.4 mm/Integrated
Tire Size/Max. Tire Width	20" x 2.3"/61 mm (measured)
Rear Brake: Mount type/Dia	U-Brake
Front Axle: Type/Length	3/8"/100 mm
Rear Axle: Type/Length	14 mm/110 mm

Part Number	Description	Notes
K22018	Mid Bottom Bracket With Spindle	
K22028	Mid Bottom Bracket Bearings And Hardware	
K2205870	3 Piece BMX Crankarm Left 170mm	
K2206870	3 Piece BMX Crankarm Right 170mm	
K81008	One Piece Driver RH 9T	

REAR DERAILLEUR HANGERS

Platform	Model Year	Model	Part Number
Aggressor/Laguna Pro 27.5"	2020-2013	Aggressor	ATIDH0246
Avalanche	2020-2012	Avalanche	ATIDH0233
ePantera	2020	ePantera	K33059
	2019-2018	ePantera Bolt	K33059
	2019-2018	ePantera Dash	K33027
eTraffic	2019-2018	eTraffic	K33177
eVerb	2019-2018	eVerb	KG0006N02 (Standard)
Force	2020-2015	Force	KG0007N02 (Direct)
	2020-2015	Force	KG0006N02 (Standard)
Fury	2019	Fury	K33029 (Direct)
	2019		K33039 (Standard)
	2018-2014		KG0022N02 (Direct)
	2018-2014		KG0021N02 (Standard)
Grade	2020	Grade Crb	K33030
		Grade Al	
	2019-2015	Grade	ATIDH0183
GTR	2020-2019	GTR	K33030
Helion	2018-2015	Helion	ATIDH0233
			KG0007N02 (Direct)
			KG0006N02 (Standard)
LaBomba	2020-2018	LaBomba	K86019
	2014-2011		ATIDH0063 (Drive Side)
	2014-2011		ATIDH0062 (Non-Drive Side)
Laguna 26"	2020-2009	Laguna	ATIDH0021
Nomad	2018-2016	Nomad	K33177
Outbound	2018-2017	Outbound	ATIDH0246
Outpost	2020-2017	Outpost	ATIDH0246
Palomar	2020-2017	Palomar Alloy	ATIDH0246
	2020-2014	Palomar Steel	

REAR DERAILLEUR HANGERS

Platform	Model Year	Model	Part Number
Pantera	2019-2017	Pantera	K33027 (Direct)
	2019-2017		K33047 (Standard)
Sanction	2019-2016	Sanction	KG0006N02 (Standard)
	2019-2016		KG0007N02 (Direct)
	2015		KG0021N02 (Standard)
Sensor	2020-2014	Sensor	KG0006N02 (Standard)
	2020-2014		KG0007N02 (Direct)
	2018-2015		ATIDH0233 (QR)
	2015	Sensor X	KG0007N02 (Direct)
	2015	KG0006N02 (Standard)	
Speed Series	2020-2019	Speed Series	K31079 (Disc Dropout Drive & Non-Drive)
	2018-2016		KG0069N01 (Rim Drive & Non-Drive)
Sportive	2018-2015	Sportive	ATIDH0183
Traffic	2020-2016	Traffic	K33177
	2015-2012		ATIDH0242
Transeo	2020-2016	Transeo	K33177
	2015-2011		ATIDH0200
Verb	2019-2016	Verb	ATIDH0246
Zaskar	2020-2016	Zaskar Carbon	KG0006N02 (Standard)
	2020-2016		KG0007N02 (Direct)
	2020	Zaskar Alloy	K33059
	2019-2017	Zaskar Alloy	K33027 (Direct)
	2019-2017		K33047 (Standard)

REAR DERAILLEUR HANGERS

ATIDH0183



K33027



K33047



K33059



K33177



ATIDH0021



ATIDH0062



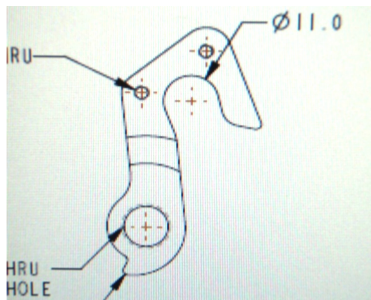
ATIDH0063



ATIDH0200



ATIDH0233



ATIDH0242



ATIDH0246



FREEHUB BODIES

2020

Model Code	Bike Model	Hub	Part Number
G11100M	700 M Grade Crb Pro	GT	KP416/
G11100M	700 M Grade Crb Pro	GT	KP416/
G11200M	700 M Grade Crb Expert	GT	K81028
G11200M	700 M Grade Crb Expert	GT	K81028
G11300M	700 M Grade Crb Elite	GT	K81028
G11300M	700 M Grade Crb Elite	GT	K81028
G11400M	700 M Grade Al Expert	GT	K81028
G11500M	700 M Grade Al Elite	GT	KP459/
G12100M	700 M GTR Comp	GT	KP459/
G12200M	700 M GTR Sport	GT	KP459/
G21100M	29 M Fury Team	GT	KP460/
G21200M	27.5/29 M Fury Pro	GT	KP460/
G21200M	27.5/29 M Fury Pro	GT	KP460/
G21300M	27.5 M Fury Expert	GT	KP460/
G22100M	29 M Force Al Pro	NOTUBES	Contact Hub Vendor
G22200M	29 M Force Al Expert	GT	K81088
G22300M	29 M Force Al Elite	GT	KP460/
G23100M	27.5 M Force Crb Pro	NOTUBES	Contact Hub Vendor
G23200M	27.5 M Force Crb Expert	GT	K81088
G23300M	27.5 M Force Al Elite	GT	K81088
G23400M	27.5 M Force Al Comp	GT	KP460/
G24100M	29 M Sensor Crb Pro	NOTUBES	Contact Hub Vendor
G24200M	29 M Sensor Crb Expert	GT	K81088
G24300M	29 M Sensor Crb Elite	GT	KP460/
G24400M	29 M Sensor Al Comp	GT	KP460/
G24500M	29 M Sensor Al Sport	GT	KP460/
G25458U	27.5 U Verb Sport	GT	K81069
G26150M	27.5/29 M Zaskar Al Elite	GT	KP459/
G26150M	27.5/29 M Zaskar Al Elite	GT	KP459/
G26200M	29 M Zaskar Crb Expert	GT	K81088
G26200M	29 M Zaskar Crb Expert	GT	K81088
G26250M	27.5/29 M Zaskar Al Comp	GT	KP459/
G26250M	27.5/29 M Zaskar Al Comp	GT	KP459/
G26300M	29 M Zaskar Crb Elite	GT	KP460/
G26300M	29 M Zaskar Crb Elite	GT	KP460/
G26400M	29 M Zaskar Crb Comp	GT	KP459/
G26400M	29 M Zaskar Crb Comp	GT	KP459/
G27100M	27.5/29 M Avalanche Expert	SHIMANO	Contact Hub Vendor
G27100M	27.5/29 M Avalanche Expert	SHIMANO	Contact Hub Vendor

FREEHUB BODIES

2020

Model Code	Bike Model	Hub	Part Number
G27100M	27.5/29 M Avalanche Expert	SHIMANO	Contact Hub Vendor
27100M	27.5/29 M Avalanche Expert	SHIMANO	Contact Hub Vendor
G27100M	27.5/29 M Avalanche Expert	SHIMANO	Contact Hub Vendor
G27100M	27.5/29 M Avalanche Expert	SHIMANO	Contact Hub Vendor
G27100M	27.5/29 M Avalanche Expert	SHIMANO	Contact Hub Vendor
G27100M	27.5/29 M Avalanche Expert	SHIMANO	Contact Hub Vendor
G27200M	27.5/29 M Avalanche Elite	GT	K81069
G27200M	27.5/29 M Avalanche Elite	GT	K81069
G27200M	27.5/29 M Avalanche Elite	GT	K81069
G27200M	27.5/29 M Avalanche Elite	GT	K81069
G27200M	27.5/29 M Avalanche Elite	GT	K81069
G27200M	27.5/29 M Avalanche Elite	GT	K81069
G27200M	27.5/29 M Avalanche Elite	GT	K81069
G27200M	27.5/29 M Avalanche Elite	GT	K81069
G27200M	27.5/29 M Avalanche Elite	GT	K81069
G27300M	27.5/29 M Avalanche Comp	GT	K81069
G27300M	27.5/29 M Avalanche Comp	GT	K81069
G27300M	27.5/29 M Avalanche Comp	GT	K81069
G27300M	27.5/29 M Avalanche Comp	GT	K81069
G27300M	27.5/29 M Avalanche Comp	GT	K81069
G27300M	27.5/29 M Avalanche Comp	GT	K81069
G27300M	27.5/29 M Avalanche Comp	GT	K81069
G27300M	27.5/29 M Avalanche Comp	GT	K81069
G27300M	27.5/29 M Avalanche Comp	GT	K81069
G27300M	27.5/29 M Avalanche Comp	GT	K81069
G27400M	27.5/29 M Avalanche Sport	GT	K81069
G27400M	27.5/29 M Avalanche Sport	GT	K81069
G27400M	27.5/29 M Avalanche Sport	GT	K81069
G27429M	27.5/29 M Avalanche Sport	GT	K81069
G27429M	27.5/29 M Avalanche Sport	GT	K81069
G27429M	27.5/29 M Avalanche Sport	GT	K81069
G27429M	27.5/29 M Avalanche Sport	GT	K81069
G28100F	26 F Laguna	GT	N/A
G28100F	26 F Laguna	GT	N/A
G28100M	27.5/29 M Aggressor Expert	GT	K81069
G28100M	27.5/29 M Aggressor Expert	GT	K81069
G28100M	27.5/29 M Aggressor Expert	GT	K81069
G28100M	27.5/29 M Aggressor Expert	GT	K81069
G28100M	27.5/29 M Aggressor Expert	GT	K81069
G28100M	27.5/29 M Aggressor Expert	GT	K81069

FREEHUB BODIES

2020

Model Code	Bike Model	Hub	Part Number
G28600U	27.5/29 U Outpost Sport	GT	N/A
G28600U	27.5/29 U Outpost Sport	GT	N/A
G28600U	27.5/29 U Outpost Sport	GT	N/A
G32100M	700 M Transeo Elite	SHIMANO	Contact Hub Vendor
G32100U	700 U Transeo Elite	SHIMANO	Contact Hub Vendor
G32200M	700 M Transeo Comp	GT	N/A
G32200U	700 U Transeo Comp	GT	N/A
G32300M	700 M Transeo Sport	GT	N/A
G32300U	700 U Transeo Sport	GT	N/A
G33100M	700 M Traffic X	SHIMANO	Contact Hub Vendor
G33200M	700 M Traffic Comp	GT	N/A
G33200U	700 U Traffic Comp	GT	N/A
G54658F	24 F Lola Ace	GT	K81069
G62100M	29 M ePantera Bolt	SHIMANO	Contact Hub Vendor
G62200M	29 M ePantera Current	SHIMANO	Contact Hub Vendor
G62300M	29 M ePantera Dash	SHIMANO	Contact Hub Vendor
G62300M	29 M ePantera Dash	SHIMANO	Contact Hub Vendor
G64100M	29 M eForce Amp	SHIMANO	Contact Hub Vendor
G64100M	29 M eForce Amp	SHIMANO	Contact Hub Vendor
G64100M	29 M eForce Amp	SHIMANO	Contact Hub Vendor
G64200M	29 M eForce Current	SHIMANO	Contact Hub Vendor
G64200M	29 M eForce Current	SHIMANO	Contact Hub Vendor



GT
BICYCLES



CYCLING SPORTS GROUP™

©2019 CYCLING SPORTS GROUP, INC

©2019 GT BICYCLES
WWW.GTBICYCLES.COM

1 CANNONDALE WAY
WILTON, CT 06897 USA

DOREL
SPORTS